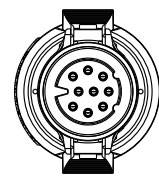
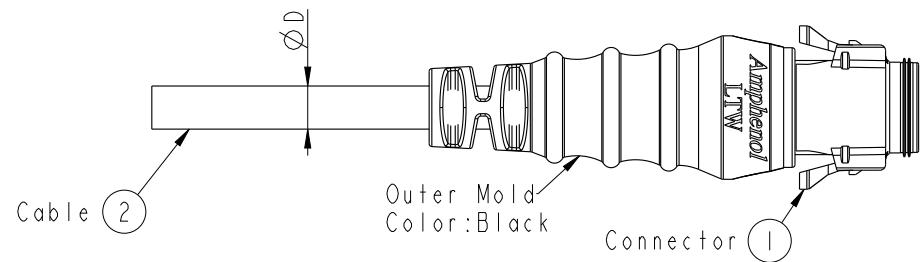
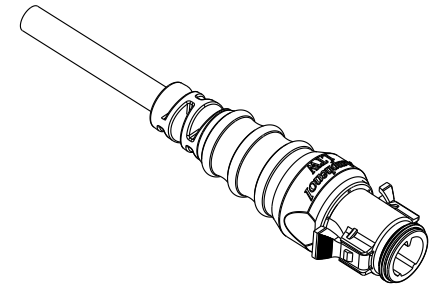
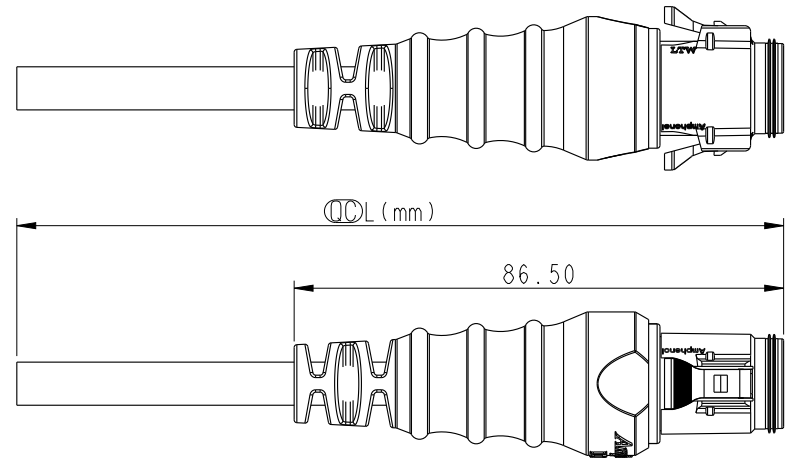


THIS DOCUMENT IS SUBJECT TO CHANGE WITHOUT NOTICE. IT IS CONFIDENTIAL AND A PROPERTY OF AMPHENOL LTW. DISCLOSURE TO THIRD PARTY HAS TO BE AUTHORIZED BY AMPHENOL LTW.

REV.	ECN NO.	DATE	SIGN	DESCRIPTION



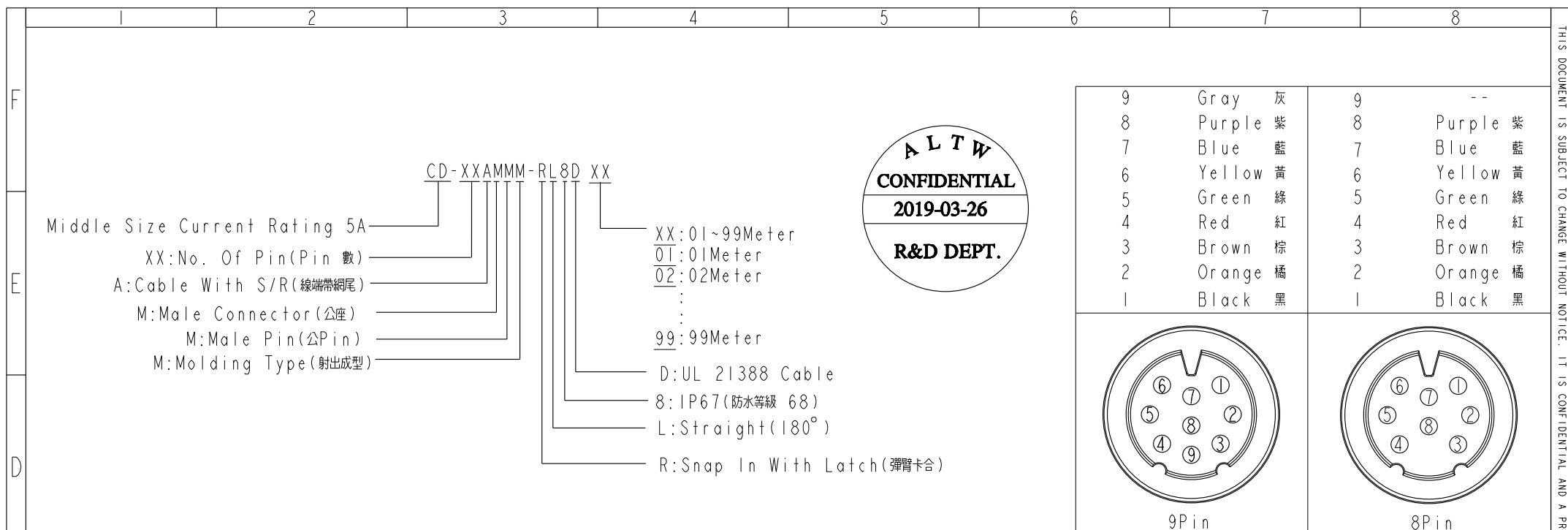
- Note:
- * \varnothing Important Dimension To Check.
 - * Waterproof Rate: IP68
 - * Connector: M-PPE, Black.
 - * Male Pin: Copper Alloy, Gold Plated.
 - * Gasket: Silicone, Gray.
 - * Cable: UL21388 20#, PVC Jacket, UV Resistant, Black.
 - * Cable Length Tolerance:
 - 01M: ±40mm
 - 02M~05M: ±60mm
 - 06M~10M: ±100mm
 - 11M~30M: ±200mm
 - 31M~99M: ±500mm
 - * Prohibiting the use of place in oils.

CD-02AMMM-RL8DXX	Ø 5.5
CD-03AMMM-RL8DXX	
CD-04AMMM-RL8DXX	Ø 6.0
CD-05AMMM-RL8DXX	Ø 6.2
CD-06AMMM-RL8DXX	Ø 6.8
CD-07AMMM-RL8DXX	
CD-08AMMM-RL8DXX	Ø 7.2
CD-09AMMM-RL8DXX	Ø 7.6
Part No.	Cable OD

UNIT:mm TOLERANCE ±0.5	TITLE MIDDLE CABLE RBL M CONN M PIN		
	SCALE 3:4	SIZE A4	SHEET 1 OF 2
	REV. A	WC-REV. A.1	QC: Inspection item

Amphenol LTW
 安費諾亮泰企業股份有限公司

ITEM NO.	DRAWN BY Peng	DATE 2019-03-26
DWG NO. CD-XXAMMM-RL8DXX	CHECKED BY Mafei	DATE 2019-03-26
CUSTOMER ALTW	APPROVED BY Jerry	DATE 2019-03-26



	Pin Out	<p>4 --</p> <p>3 Brown 棕</p> <p>2 --</p> <p>1 Black 黑</p>	<p>4 Red 紅</p> <p>3 Brown 棕</p> <p>2 --</p> <p>1 Black 黑</p>	<p>4 Red 紅</p> <p>3 Brown 棕</p> <p>2 Orange 橘</p> <p>1 Black 黑</p>	<p>6 Yellow 黃</p> <p>5 --</p> <p>4 Red 紅</p> <p>3 Brown 棕</p> <p>2 Orange 橘</p> <p>1 Black 黑</p>	<p>6 Yellow 黃</p> <p>5 Green 綠</p> <p>4 Red 紅</p> <p>3 Brown 棕</p> <p>2 Orange 橘</p> <p>1 Black 黑</p>	<p>9 --</p> <p>8 --</p> <p>7 Blue 藍</p> <p>6 Yellow 黃</p> <p>5 Green 綠</p> <p>4 Red 紅</p> <p>3 Brown 棕</p> <p>2 Orange 橘</p> <p>1 Black 黑</p>
	Pin Assignments Front View						

UNIT:mm		TITLE MIDDLE CABLE RBL M CONN M PIN	Amphenol LTW 安費諾亮泰企業股份有限公司		ITEM NO	DRAWN BY Peng	DATE 2019-03-26
TOLERANCE ±0.5		SCALE 3:4	SIZE A4	SHEET 2 OF 2	DWG NO CD-XXAMMM-RL8DXX	CHECKED BY Mafei	DATE 2019-03-26
		REV. A	WC-REV. A.1	Inspection item	CUSTOMER ALTW	APPROVED BY Jerry	DATE 2019-03-26