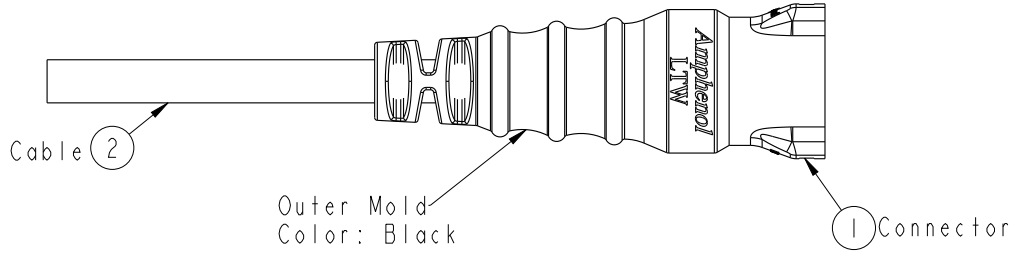
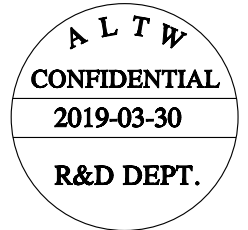
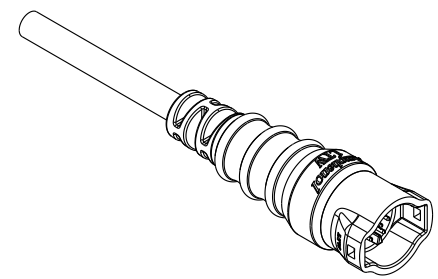
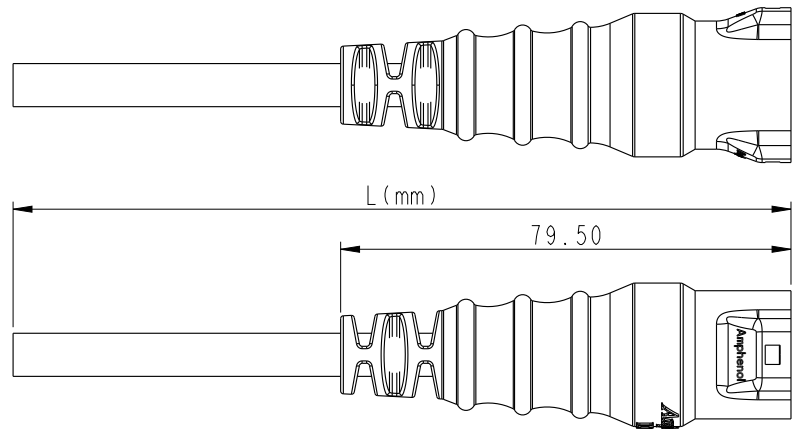


THIS DOCUMENT IS SUBJECT TO CHANGE WITHOUT NOTICE. IT IS CONFIDENTIAL AND A PROPERTY OF AMPHENOL LTW. DISCLOSURE TO THIRD PARTY HAS TO BE AUTHORIZED BY AMPHENOL LTW.

REV.	ECN NO.	DATE	SIGN	DESCRIPTION



Conn

Note:

- * \varnothing Important Dimension To Check.
- * Waterproof Rate: IP68
- * Housing: M-PPE, Black.
- * Male Pin: Copper Alloy, Gold Plated.
- * Cable: UL21388 20#, PVC Jacket, UV Resistant, Black.
- * Cable Length Tolerance:
 - 01M: ±40mm
 - 02M~05M: ±60mm
 - 06M~10M: ±100mm
 - 11M~30M: ±200mm
 - 31M~99M: ±500mm

* Prohibiting the use of place in oils

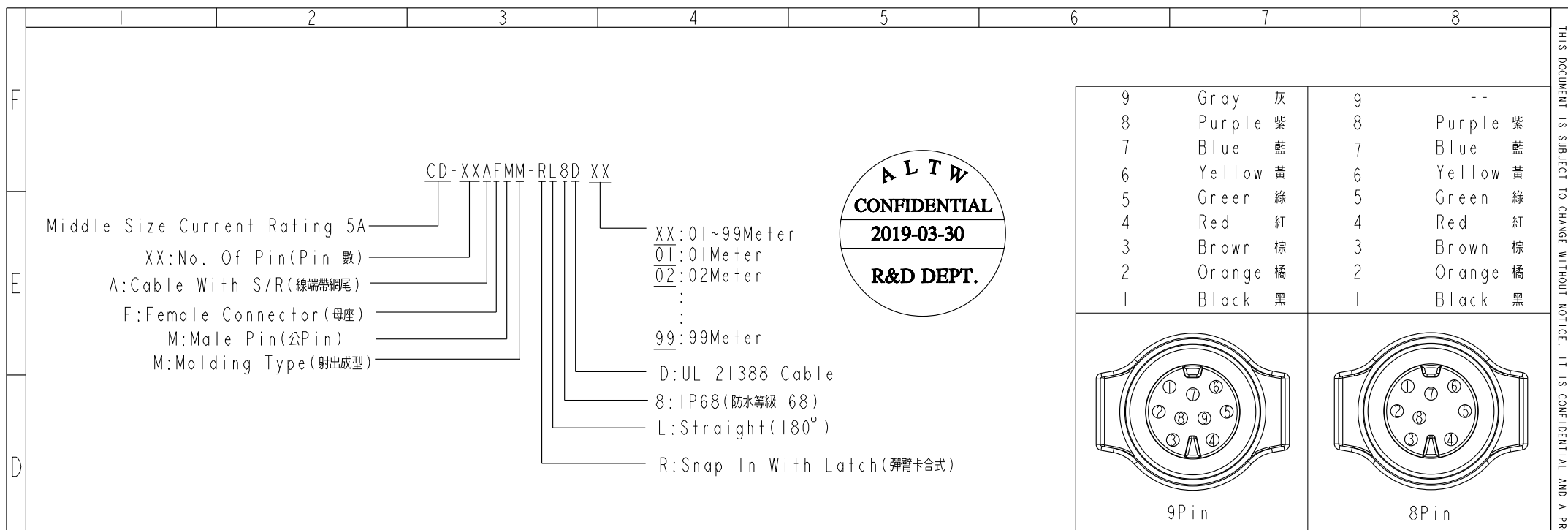
CD-02AFMM-RL8DXX	∅ 5.5
CD-03AFMM-RL8DXX	
CD-04AFMM-RL8DXX	∅ 6.0
CD-05AFMM-RL8DXX	∅ 6.2
CD-06AFMM-RL8DXX	∅ 6.8
CD-07AFMM-RL8DXX	
CD-08AFMM-RL8DXX	∅ 7.2
CD-09AFMM-RL8DXX	∅ 7.6
Part No.	Cable OD

UNIT: mm			TITLE MIDDLE CABLE RBL F CONN M PIN		
TOLERANCE ±0.5	SCALE 3:4	SIZE A4	SHEET 1	OF 2	REV. A
	WC-REV. A.1	\varnothing : Inspection item			

Amphenol LTW
安費諾亮泰企業股份有限公司

ITEM NO.	DRAWN BY Peng	DATE 2019-03-30
DWG NO. CD-XXAFMM-RL8DXX	CHECKED BY Mafei	DATE 2019-03-30
CUSTOMER ALTW	APPROVED BY Jerry	DATE 2019-03-30

THIS DOCUMENT IS SUBJECT TO CHANGE WITHOUT NOTICE. IT IS CONFIDENTIAL AND A PROPERTY OF Amphenol LTW. DISCLOSURE TO THIRD PARTY HAS TO BE AUTHORIZED BY Amphenol LTW.



Pin Out	4	--	4	Red	紅	4	Red	紅	6	Yellow	黃	6	Yellow	黃	9	--	
	3	Brown	棕	3	Brown	棕	3	Brown	5	--		5	Green	綠	8	--	
	2	--		2	--	2	Orange	橘	4	Red	紅	4	Red	紅	7	Blue	藍
	1	Black	黑	1	Black	黑	1	Black	3	Brown	棕	3	Brown	棕	6	Yellow	黃
									2	Orange	橘	2	Orange	橘	5	Green	綠
									1	Brown	棕	1	Brown	棕	4	Red	紅
															3	Brown	棕
															2	Orange	橘
															1	Black	黑

UNIT: mm	TOLERANCE ±0.5	TITLE MIDDLE CABLE RBL F CONN M PIN		Amphenol LTW 安費諾亮泰企業股份有限公司		ITEM NO	DRAWN BY	DATE	
		SCALE 3:4	SIZE A4			SHEET 2 OF 2	DWG NO CD-XXAFMM-RL8DXX	CHECKED BY Lu Di	DATE 2019-03-30
		REV. A	WC-REV. A.1			QC: Inspection item	CUSTOMER ALTW	APPROVED BY Jerry	DATE 2019-03-30