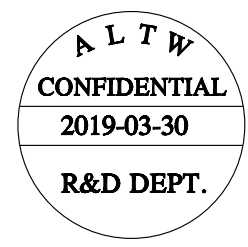
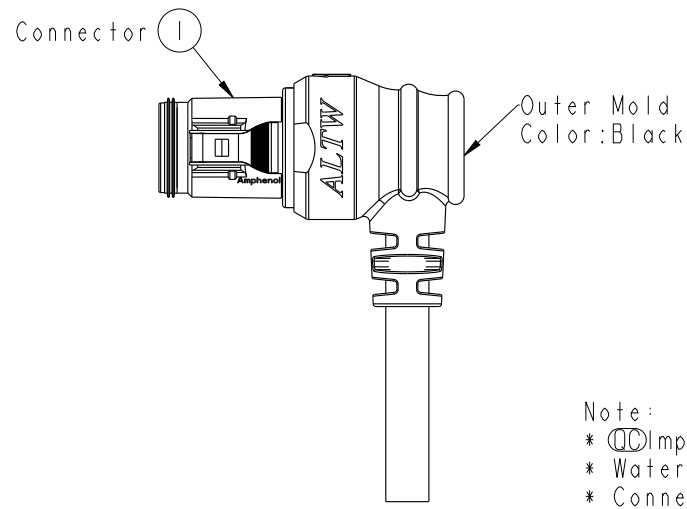
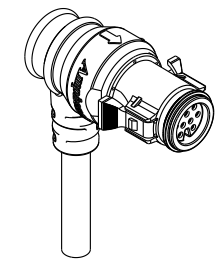
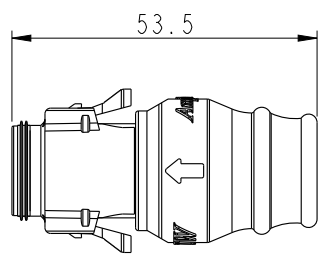
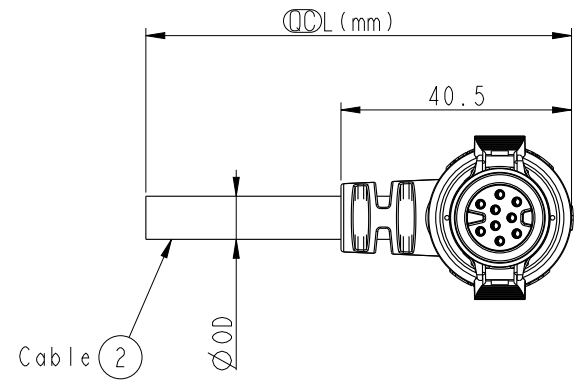


THIS DOCUMENT IS SUBJECT TO CHANGE WITHOUT NOTICE. IT IS CONFIDENTIAL AND A PROPERTY OF Amphenol LTW. DISCLOSURE TO THIRD PARTY HAS TO BE AUTHORIZED BY Amphenol LTW.

REV.	ECN NO.	DATE	SIGN	DESCRIPTION



CD-02AMFM-RR8DXX	Ø 5.5
CD-03AMFM-RR8DXX	
CD-04AMFM-RR8DXX	Ø 6.0
CD-05AMFM-RR8DXX	Ø 6.2
CD-06AMFM-RR8DXX	Ø 6.8
CD-07AMFM-RR8DXX	
CD-08AMFM-RR8DXX	Ø 7.2
CD-09AMFM-RR8DXX	Ø 7.6
Part No.	Cable OD

Note:

- * ⌀ Important Dimension To Check.
- * Waterproof Rate: IP68
- * Connector: M-PPE, Black.
- * Female Pin: Copper Alloy, Gold Plated.
- * Gasket: Silicone, Gray.
- * Cable: UL21388 20#, PVC Jacket ,UV Resistant, Black.
- * Cable Length Tolerance:
 - 01M:±40mm
 - 02M~05M:±60mm
 - 06M~10M:±100mm
 - 11M~30M:±200mm
 - 31M~99M:±500mm

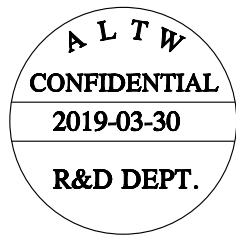
* Prohibiting the use of place in oils

UNIT:mm		TITLE	MIDDLE CABLE RBL M CONN F PIN		
TOLERANCE	±0.5	SCALE	3:4	SIZE	A4
REV.	A	SHEET	1	OF	2
WC-REV.	A.1	⌀ : Inspection item			

Amphenol LTW
安費諾亮泰企業股份有限公司

ITEM NO	DRWN BY	DATE
	Peng	2019-03-30
DWG NO	CHECKED BY	DATE
CD-XXAMFM-RR8DXX	Mafei	2019-03-30
CUSTOMER	APPROVED BY	DATE
ALTW	Jerry	2019-03-30

THIS DOCUMENT IS SUBJECT TO CHANGE WITHOUT NOTICE. IT IS CONFIDENTIAL AND A PROPERTY OF Amphenol LTW. DISCLOSURE TO THIRD PARTY HAS TO BE AUTHORIZED BY Amphenol LTW.

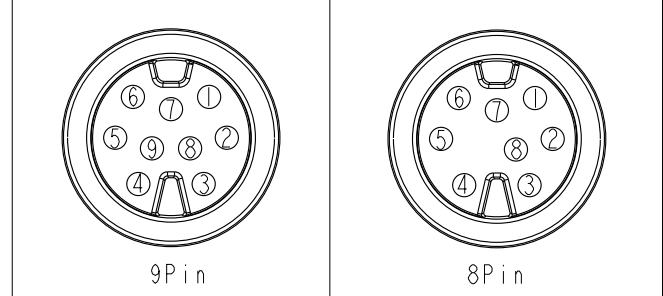


CD-XXAMFM-RR8D XX

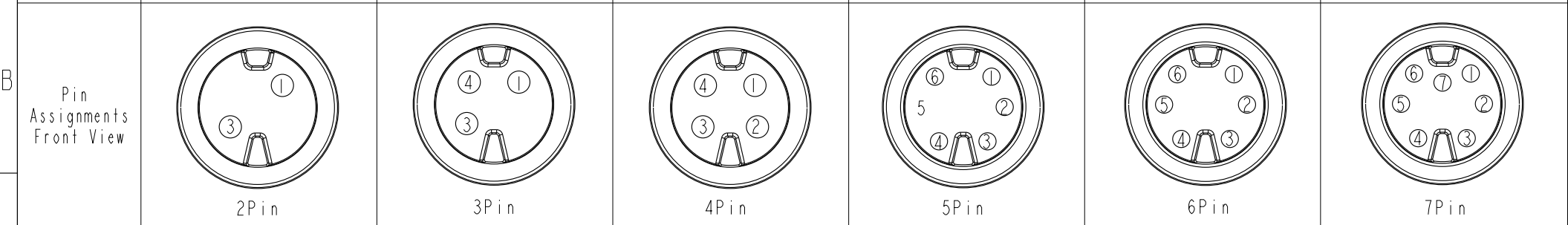
Middle Size Current Rating 5A
 XX:No. Of Pin (Pin 數)
 A:Cable With S/R (線端帶網尾)
 M:Male Connector (公座)
 F:Female Pin (母Pin)
 M:Molding Type (射出成型)

XX:01~99Meter
 01:01Meter
 02:02Meter
 :
 :
 99:99Meter
 D:UL 21388 Cable
 8:IP68 (防水等級 68)
 R:Right Angle (90°)
 R:Snap In With Latch (彈臂卡合式)

9	Gray	灰	9	--	
8	Purple	紫	8	Purple	紫
7	Blue	藍	7	Blue	藍
6	Yellow	黃	6	Yellow	黃
5	Green	綠	5	Green	綠
4	Red	紅	4	Red	紅
3	Brown	棕	3	Brown	棕
2	Orange	橘	2	Orange	橘
1	Black	黑	1	Black	黑



Pin Out	4	--	4	Red	紅	4	Red	紅	6	Yellow	黃	6	Yellow	黃	9	--		
	3	Brown	棕	3	Brown	棕	3	Brown	棕	5	--	5	Green	綠	8	--		
	2	--	2	--		2	Orange	橘	4	Red	紅	4	Red	紅	7	Blue	藍	
	1	Black	黑	1	Black	黑	1	Black	黑	3	Brown	棕	3	Brown	棕	6	Yellow	黃
										2	Orange	橘	2	Orange	橘	5	Green	綠
										1	Black	黑	1	Black	黑	4	Red	紅
																3	Brown	棕
																2	Orange	橘
																1	Black	黑



UNIT:mm TOLERANCE ±0.5	TITLE MIDDLE CABLE RBL M CONN F PIN		Amphenol LTW 安費諾亮泰企業股份有限公司		ITEM NO	DRAWN BY Peng	DATE 2019-03-30
	SCALE 3:4	SIZE A4			SHEET 2 OF 2	DWG NO CD-XXAMFM-RR8DXX	CHECKED BY Mafei
	REV. A	WC-REV. A.1	☉: Inspection item		CUSTOMER ALTW	APPROVED BY Jerry	DATE 2019-03-30