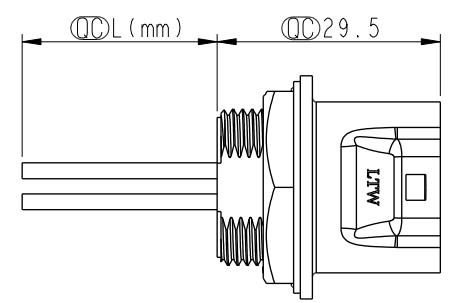
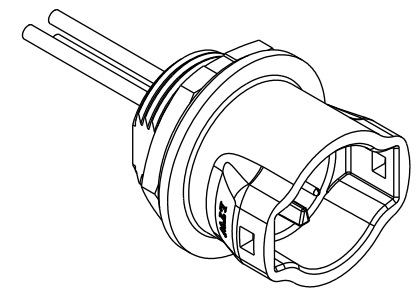
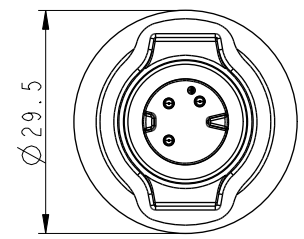
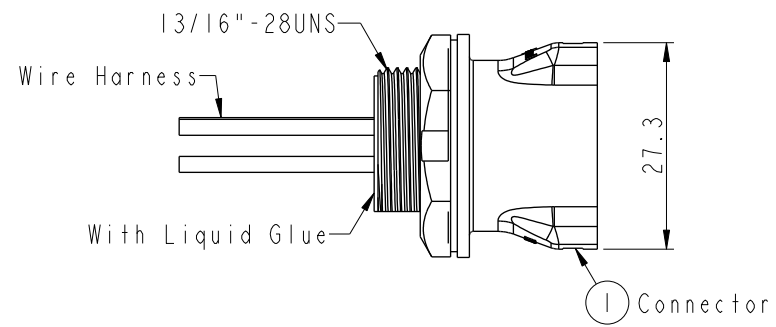


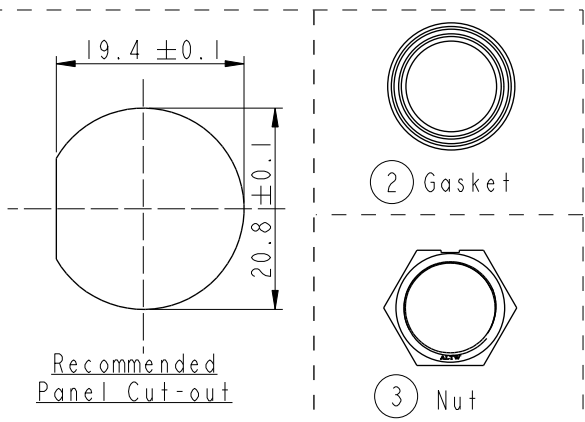
THIS DOCUMENT IS SUBJECT TO CHANGE WITHOUT NOTICE. IT IS CONFIDENTIAL AND A PROPERTY OF Amphenol LTW. DISCLOSURE TO THIRD PARTY HAS TO BE AUTHORIZED BY Amphenol LTW.

REV.	ECN NO.	DATE	SIGN	DESCRIPTION
A		2020/04/27	Ruru	Initial Released
B	C200691	2020/05/19	Ruru	\triangle B XI



CD-XXRFMS-RC8DXX
 XX: No. Of Pin(Pin數)
 10 : 100~1000mm
 15 : 100mm
 20 : 200mm
 s
 A0 : 1000mm
 Cable Pitch Unit: 50mm
 Wire Length(L): 100~1000mm

Pin Out	4 Green 綠 3 White 白 1 Black 黑
Pin Assignments Front View	



- \triangle Note:
- * $\phi\phi$ Important Dimension
 - * Waterproof Rate: IP68, Unmated
IP68: 1M depth of water in 24 hours
 - * Connector: Thermoplastic, Black
 - * Male Pin: Copper Alloy, Gold Plated
 - * Gasket: Rubber, Black
 - * Nut: Nylon+GF, Black
 - * Wire Harness: UL1430, 20AWG
 - * Panel Thickness Max: 5.0mm
 - * Wire harness Tolerance: 100 ± 10mm
101~300 ± 15mm
301~1000 ± 20mm
 - * Prohibiting the use of place in oils
 - * The nut and gasket are packed separately

UNIT:mm		TITLE	RBL, C-5A, REAR FASTENED F, M, SOLDER, RBL
TOLERANCE	$\pm 0.5mm$	SCALE	1:1
		SIZE	A4
		SHEET	1 OF 1
		REV.	B
		WC-REV.	A.1
		$\phi\phi$	Inspection item

Amphenol LTW
 安費諾亮泰企業股份有限公司

ITEM NO	CD-XXRFMS-RC8DXX	DRAWN BY	Ruru	DATE	2020-04-27
DWG NO	CD-XXRFMS-RC8DXX	CHECKED BY	Rita	DATE	2020-04-27
CUSTOMER	ALTW	APPROVED BY	Max	DATE	2020-04-27