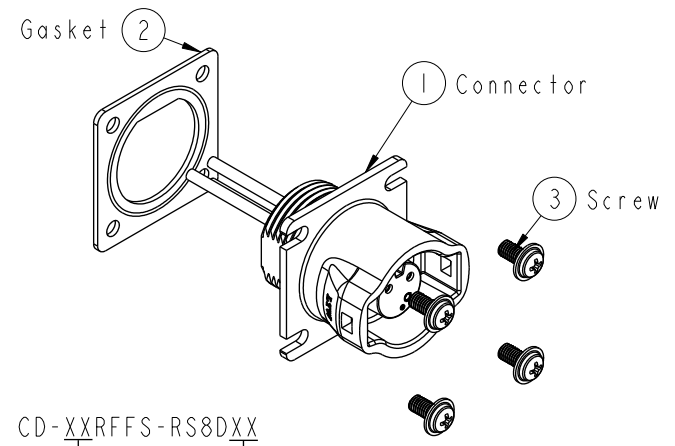
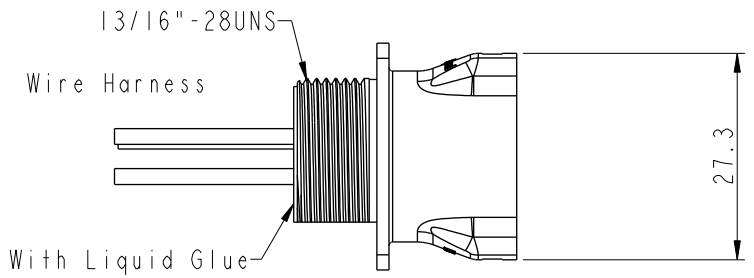


THIS DOCUMENT IS SUBJECT TO CHANGE WITHOUT NOTICE. IT IS CONFIDENTIAL AND A PROPERTY OF Amphenol LTW. DISCLOSURE TO THIRD PARTY HAS TO BE AUTHORIZED BY Amphenol LTW.

REV.	ECN NO.	DATE	SIGN	DESCRIPTION
A		2020/04/27	Ruru	Initial Released
B	C200691	2020/05/19	Ruru	△ XI

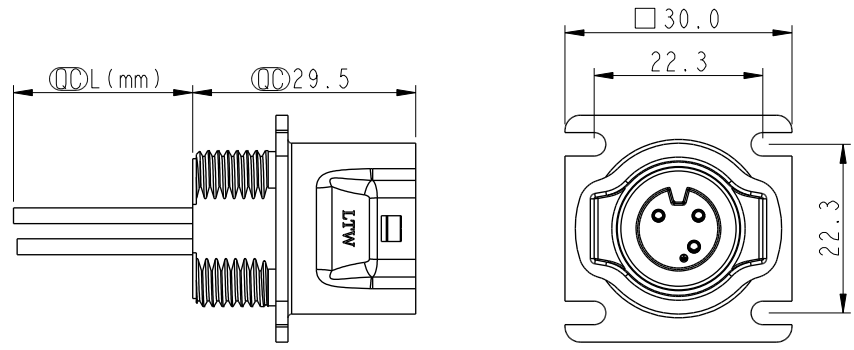


CD-XXRFFS-RS8DXX

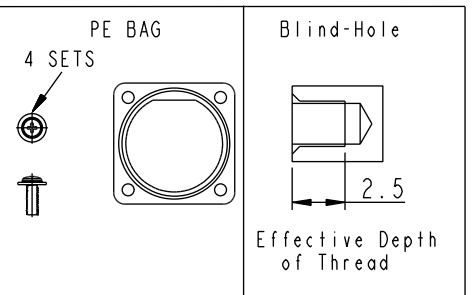
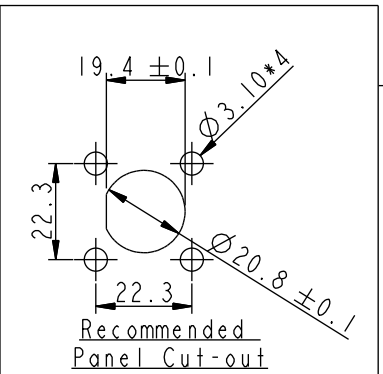
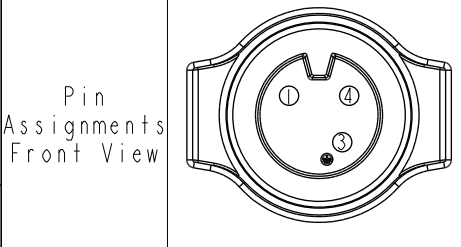
XX: No. Of Pin(Pin數)

- 10 : 100~1000mm
- 15 : 100mm
- 20 : 200mm
- ∫
- A0 : 1000mm

Cable Pitch Unit: 50mm  
Wire Length(L): 100~1000mm



Pin Out	4 Green 綠
	3 White 白
	1 Black 黑



- △ Note:
- \* ∅ Important Dimension
  - \* Waterproof Rate: IP68, Unmated  
IP68: 1M depth of water in 24 hours
  - \* Connector: Thermoplastic, Black
  - \* Female Pin: Copper Alloy, Gold Plated
  - \* Gasket: Rubber, Gray
  - \* Wire Harness: ULI430, 20AWG
  - \* Blind holes for the screws used M3X0.5mm
  - \* Blind Hole Size M3X0.5mm
  - \* Wire harness Tolerance: 100 ± 10mm  
101~300 ± 15mm  
301~1000 ± 20mm
  - \* Prohibiting the use of place in oils

UNIT:mm		TITLE	RBL, C-5A, REAR FASTENED F, F, SOLDER, RBL		
TOLERANCE		SCALE	1:1	SIZE	A4
±0.5mm		REV.	B	WC-REV.	.0
				∅	Inspection item

**Amphenol LTW**  
安費諾亮泰企業股份有限公司

ITEM NO	CD-XXRFFS-RS8DXX	DRAWN BY	Ruru	DATE	2020-04-27
DWG NO	CD-XXRFFS-RS8DXX	CHECKED BY	Rita	DATE	2020-04-27
CUSTOMER	ALTW	APPROVED BY	Max	DATE	2020-04-27