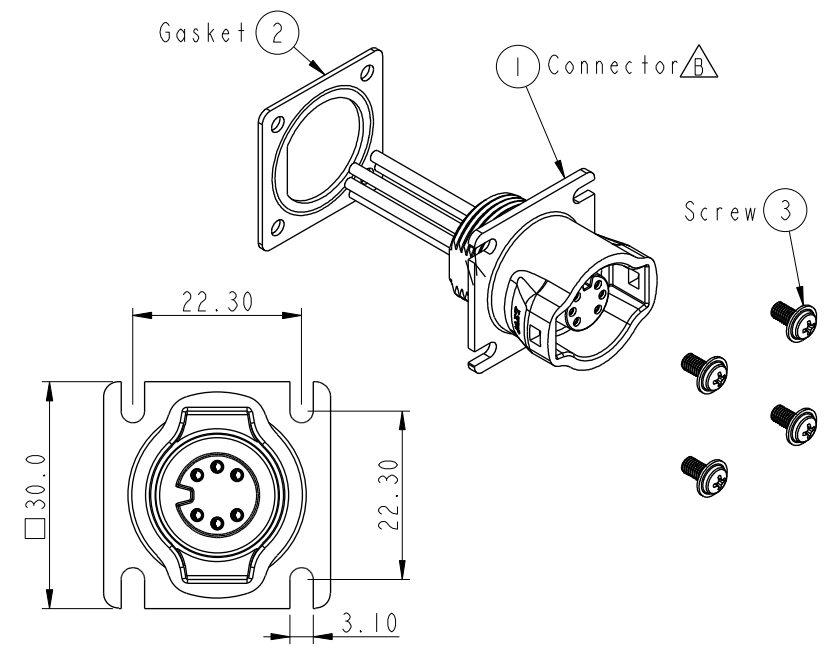
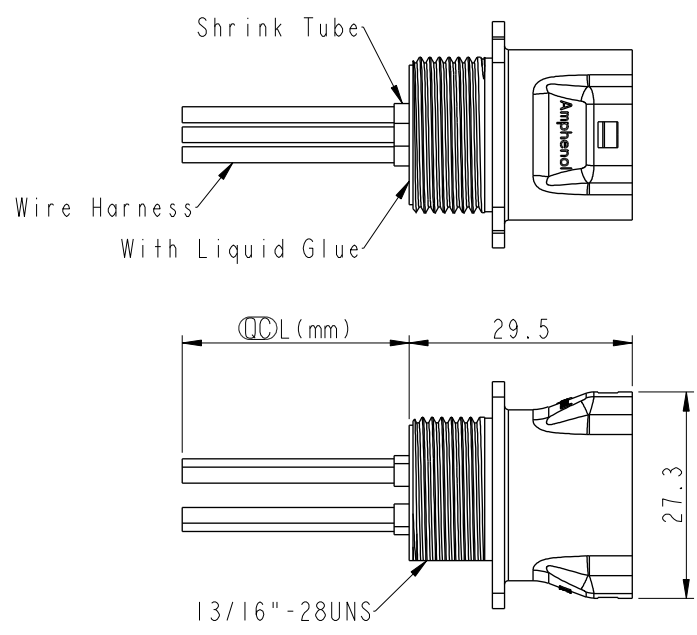


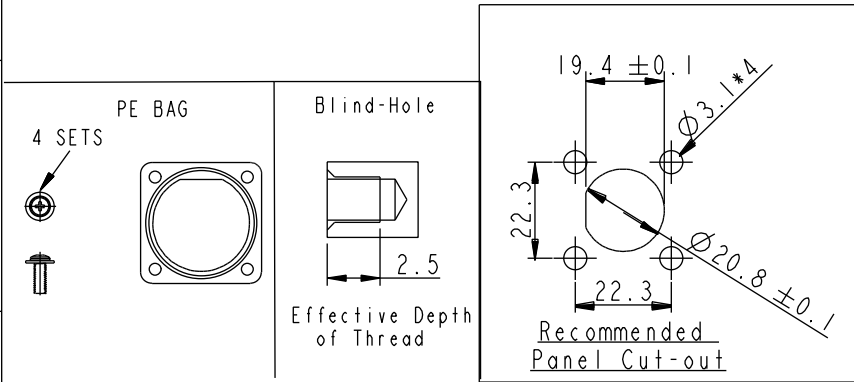
THIS DOCUMENT IS SUBJECT TO CHANGE WITHOUT NOTICE. IT IS CONFIDENTIAL AND A PROPERTY OF Amphenol LTW. DISCLOSURE TO THIRD PARTY HAS TO BE AUTHORIZED BY Amphenol LTW.

REV.	ECN NO.	DATE	SIGN	DESCRIPTION
B	LE315A0049~53	2015/09/22	Joyy	Update The Drawing
C	LEN15B0326~330	2015/11/10	Joyy	Add 7-8 And 9 Pin To The Common Drawing
D	CI91730	2019/10/08	Vicky	Update Code & Wire Tolerance

**ALTW**  
 CONFIDENTIAL  
 2019-10-08  
 R&D DEPT.



- Note:
- \*  $\varnothing$  Important Dimension To Check.
  - \* Waterproof Rate: IP67
  - \* Housing: 2~6Pin M-PPE, Black.  
7~9Pin Nylon+GF, Black.
  - \* Female Pin: Copper Alloy, Gold Plated.
  - \* Gasket: Silicone, Gray.
  - \* Wire Harness: UL1430 20#
  - \* Blind holes for the screws used M3X0.5mm
  - \* Blind Hole Size M3X0.5mm
  - \* Screw Torque: 1.5~2kgf.cm
  - \* Wire harness Tolerance: 100  $\pm$ 10mm  
101~300  $\pm$ 15mm  
301~1000  $\pm$ 20mm
  - \* Prohibiting the use of place in oils

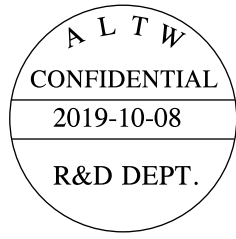


UNIT:mm		TITLE	MIDDLE Panel RBL F CONN F PIN
TOLERANCE	$\pm 0.5\text{mm}$	SCALE	1:1
		SIZE	A4
		SHEET	1 OF 2
		REV.	D
		WC-REV.	A.15
		$\varnothing$	Inspection item

**Amphenol LTW**  
 安費諾亮泰企業股份有限公司

ITEM NO	DRAWN BY	DATE
	Joyy	2015-11-10
DWG NO	CHECKED BY	DATE
CD-XXRFFC-RS7BXX	Lu Di	2015-11-10
CUSTOMER	APPROVED BY	DATE
ALTW	Jerry	2015-11-10

THIS DOCUMENT IS SUBJECT TO CHANGE WITHOUT NOTICE. IT IS CONFIDENTIAL AND A PROPERTY OF Amphenol LTW. DISCLOSURE TO THIRD PARTY HAS TO BE AUTHORIZED BY Amphenol LTW.

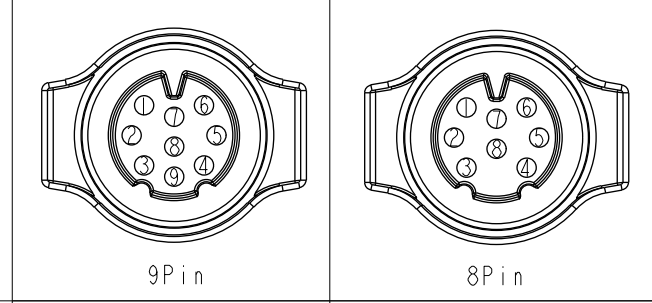


CD-XXRFFC-RS7BXX

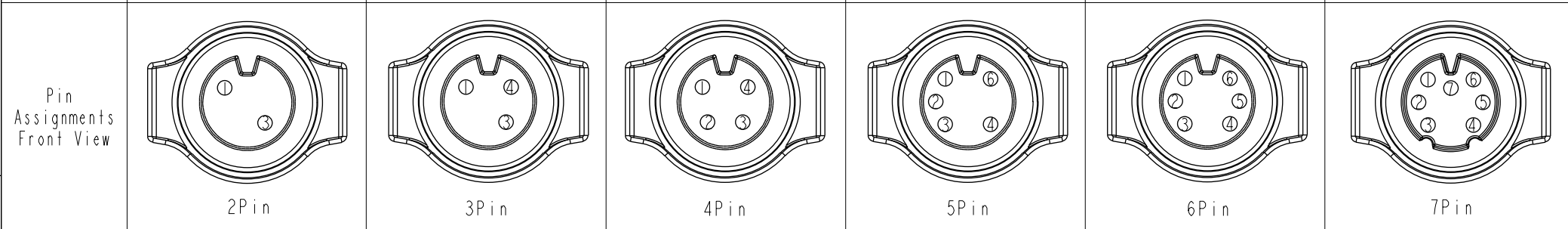
Middle Size Current Rating 5A  
 XX: No. Of Pin (Pin 數)  
 R: Panel Rear Mounting (後鎖嵌面板式)  
 F: Female Connector (母座)  
 F: Female Pin (母Pin)  
 C: Crimp Type (夾線組裝式)

10 : 100mm  
 15 : 150mm  
 20 : 200mm  
 A0 : 1000mm  
 Cable Pitch Unit: 50mm  
 Wire Length (L): 100~1000mm  
 B: UL 1430  
 7: IP67 (防水等級 67)  
 S: Square (方座)  
 R: Snap in With Latch (彈臂卡合式)

9	White	白	9	--	
8	Purple	紫	8	Purple	紫
7	Red	紅	7	Red	紅
6	Green	綠	6	Green	綠
5	Yellow	黃	5	Yellow	黃
4	Blue	藍	4	Blue	藍
3	Orange	橘	3	Orange	橘
2	Brown	棕	2	Brown	棕
1	Black	黑	1	Black	黑



Pin Out	4	--	4	Blue	藍	4	Blue	藍	6	Green	綠	6	Grey	灰	9	--	
	3	White	3	White	白	3	White	白	5	--		8	--				
	2	--	2	--		2	Brown	棕	4	Black	黑	4	Green	綠	7	Red	紅
	1	Black	1	Black	黑	1	Black	黑	3	Blue	藍	3	White	白	6	Green	綠
									2	White	白	2	Blue	藍	5	Yellow	黃
									1	Brown	棕	1	Brown	棕	4	Blue	藍
															3	Orange	橘
															2	Brown	棕
															1	Black	黑



UNIT:mm	TOLERANCE ±0.5mm	TITLE MIDDLE Panel RBL F CONN F PIN		<h1>Amphenol LTW</h1> <p>安費諾亮泰企業股份有限公司</p>	ITEM NO	DRAWN BY Joyy	DATE 2015-11-10
		SCALE 1:1	SIZE A4		SHEET 2 OF 2	DWG NO CD-XXRFFC-RS7BXX	CHECKED BY Lu Di
REV. D	WC-REV. A.15	QC: Inspection item		CUSTOMER ALTW	APPROVED BY Jerry	DATE 2015-11-10	