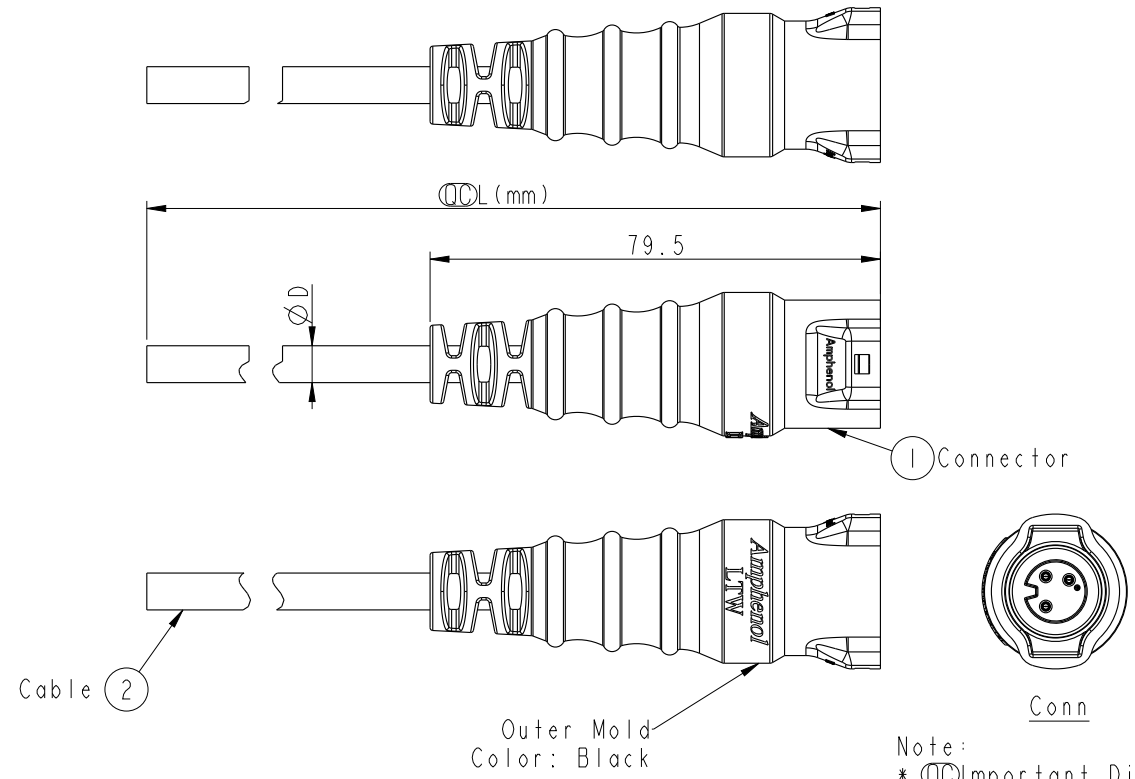


THIS DOCUMENT IS SUBJECT TO CHANGE WITHOUT NOTICE. IT IS CONFIDENTIAL AND A PROPERTY OF Amphenol LTW. DISCLOSURE TO THIRD PARTY HAS TO BE AUTHORIZED BY Amphenol LTW.

REV.	ECN NO.	DATE	SIGN	DESCRIPTION



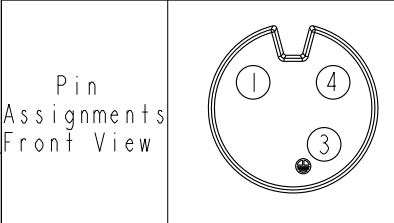
ALTW
CONFIDENTIAL
2019-03-22
R&D DEPT.

- Note:
- * \varnothing Important Dimension To Check.
 - * Waterproof Rate: IP68
 - * Housing: M-PPE, Black.
 - * Female Pin: Copper Alloy, Gold Plated.
 - * Cable: SJTW, 18#*3C, PVC Jacket
UV Resistant, OD=8.0mm, Black
 - * Cable Length Tolerance: 01M:±40mm
02M~05M:±60mm
06M~10M:±100mm
11M~30M:±200mm
31M~99M:±500mm
 - * Prohibiting the use of place in oils

CD-03AFFM-RL8EXX

XX: 01~99Meter
 01: 01Meter
 02: 02Meter
 ...
 99: 99Meter

Pin Out	4 Green 綠
	3 White 白
	1 Black 黑



UNIT:mm	
TOLERANCE	±0.5

TITLE MIDDLE CABLE RBL F CONN F PIN			
SCALE 3:4	SIZE A4	SHEET 1 OF 1	
REV. A	WC-REV. A.1	\varnothing : Inspection item	

Amphenol LTW
安費諾亮泰企業股份有限公司

ITEM NO	DRAWN BY Peng	DATE 2019-03-22
DWG NO CD-03AFFM-RL8EXX	CHECKED BY Mafei	DATE 2019-03-22
CUSTOMER ALTW	APPROVED BY Jerry	DATE 2019-03-22