

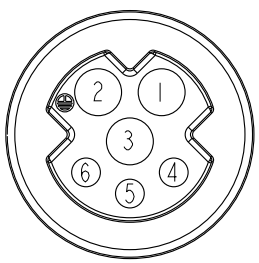
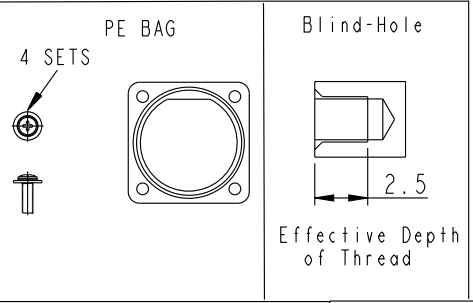
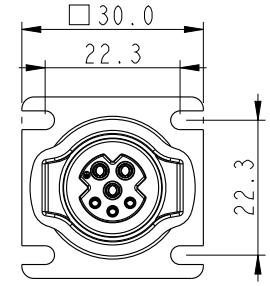
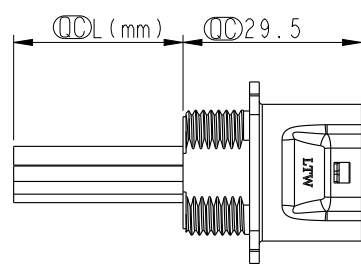
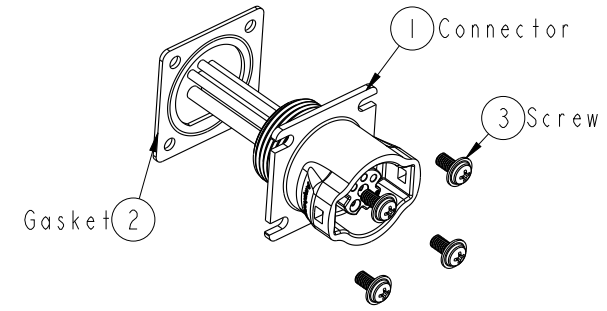
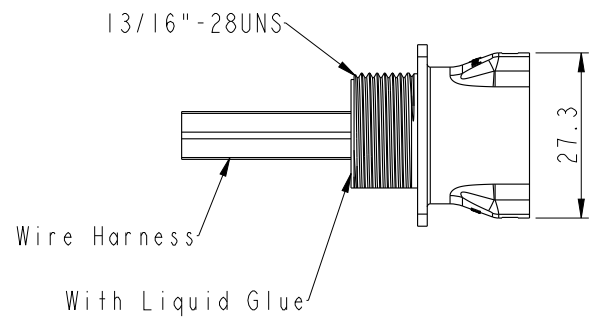
THIS DOCUMENT IS SUBJECT TO CHANGE WITHOUT NOTICE. IT IS CONFIDENTIAL AND A PROPERTY OF Amphenol LTW. DISCLOSURE TO THIRD PARTY HAS TO BE AUTHORIZED BY Amphenol LTW.

REV.	ECN NO.	DATE	SIGN	DESCRIPTION
A		2020-04-23	Peng	Initial Released

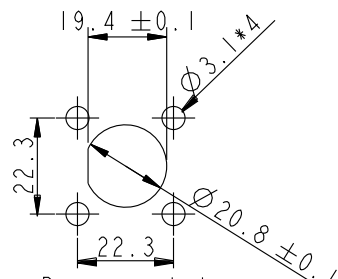
CBD-06RFFS-RS8CXX

06:6Pin

10:100mm
15:150mm
20:200mm
:
A0:1000mm
Cable Pitch Unit=50mm
Wire Length (L):100~1000 mm



Pin Assignments
Front View



Recommended
Panel Cut-out

6	Black (20AWG)	黑
5	White (20AWG)	白
4	Green (20AWG)	綠
3	Blue (16AWG)	藍
2	Red (16AWG)	紅
1	Black (16AWG)	黑
Conn.	Wire Color	
	Pin Out	

Note:
 * \varnothing Important Dimension To Check.
 * Waterproof Rate: IP68, Unmated.
 IP68: 1M depth of water in 24 hours
 * Housing: Thermoplastic, Black
 * Female Pin: Copper Alloy, Gold Plated.
 * Gasket: Rubber, Gray.
 * Wire Harness: UL1015
 * Blind holes for the screws used M3X0.5mm
 * Blind Hole Size M3X0.5mm
 * Screw Torque: 1.5~2kgf.cm
 * Wire harness Tolerance: 100mm \pm 10mm
 101~300mm \pm 15mm
 301~1000mm \pm 20mm
 * Prohibiting the use of place in oils

UNIT:mm TOLERANCE \pm 0.5

TITLE Middle Panel RBL F CONN F PIN			
SCALE 1:1	SIZE A4	SHEET 1 OF 1	
REV. A	WC-REV. .0	\varnothing Inspection item	

Amphenol LTW
安費諾亮泰企業股份有限公司

ITEM NO	DRAWN BY Peng	DATE 2020-04-23
DWG NO CBD-XXRFFS-RS8CXX	CHECKED BY Feng_Li	DATE 2020-04-23
CUSTOMER ALTW	APPROVED BY Jerry	DATE 2020-04-23