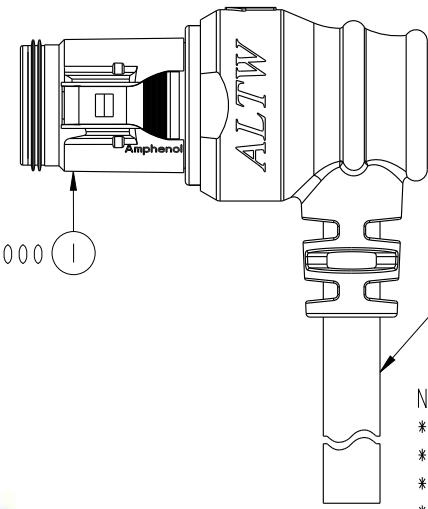
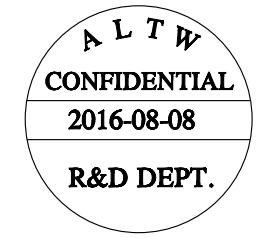
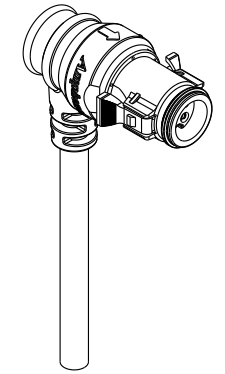
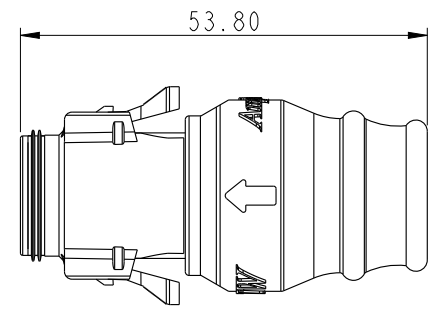
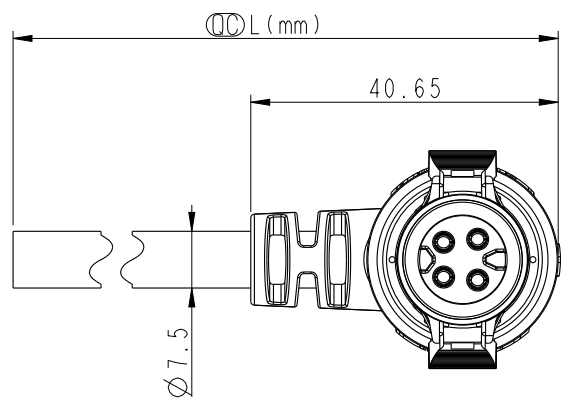


THIS DOCUMENT IS SUBJECT TO CHANGE WITHOUT NOTICE. IT IS CONFIDENTIAL AND A PROPERTY OF Amphenol LTW. DISCLOSURE TO THIRD PARTY HAS TO BE AUTHORIZED BY Amphenol LTW.

REV.	ECN NO.	DATE	SIGN	DESCRIPTION
B	LEN1580185~87	2015/08/10	Lu Di	Change To Common Drawing
C	LEN1680346 LEN1680354-55	2016/08/08	Mafei	Updated The Pin Out Color.



CB-XXAMFM-RR7000
Color: Black

- Note:
- * \varnothing Important Dimension To Check.
 - * Waterproof Rate: IP67
 - * Housing: M-PPE, Black.
 - * Female Pin: Copper Alloy, Gold Plated.
 - * Gasket: Silicone, Gray.
 - * Cable: UL2464 16#, PVC Jacket, UV Resistant, Black.
 - * Cable Length Tolerance: 01M: ±40mm
02M~05M: ±60mm
06M~10M: ±100mm
11M~30M: ±200mm
31M~99M: ±500mm
- * Prohibiting the use of place in oils



CB-02AMFM-RR7AXX	Ø 7.8
CB-03AMFM-RR7AXX	Ø 7.5
CB-04AMFM-RR7AXX	Ø 7.5
Part No.	Cable OD

UNIT:mm TOLERANCE ±0.5	TITLE MLDDIE CABLE RBL M CONN F PIN		SHEET 1 OF 2
	SCALE 1:1	SIZE A4	
	REV. C	WC-REV. A.2	
		Inspection item	

Amphenol LTW
安費諾亮泰企業股份有限公司

ITEM NO.	DRAWN BY Mafei	DATE 2016/08/08
DWG NO. CB-XXAMFM-RR7AXX	CHECKED BY Joyy	DATE 2016/08/08
CUSTOMER ALTW	APPROVED BY Jerry	DATE 2016/08/08

THIS DOCUMENT IS SUBJECT TO CHANGE WITHOUT NOTICE. IT IS CONFIDENTIAL AND A PROPERTY OF AMPHENOL LTW. DISCLOSURE TO THIRD PARTY HAS TO BE AUTHORIZED BY AMPHENOL LTW.



CB-XXAMFM-RR7A XX

Middle Size Current Rating 10A

XX:No. Of Pin (Pin 數)

A:Cable With S/R (線端帶網尾)

M:Male Connector (公座)

F:Female Pin (母Pin)

M:Molding Type (射出成型)

XX:01~99Meter

01:01Meter

02:02Meter

...

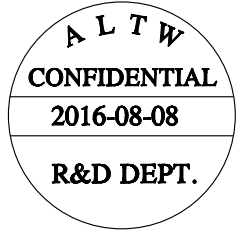
99:99Meter


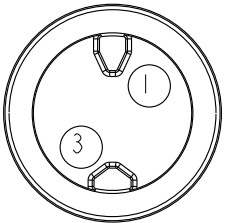
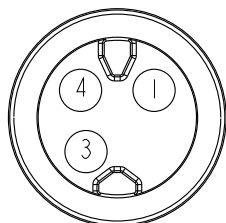
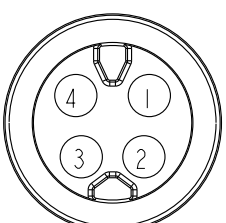
A:UL 2464 Cable



7:IP67(防水等級 67)

R:Right Angle(90°)

R:Snap In With Latch(彈臂卡合式)



Pin Out	4 -- 3 Red 紅 2 -- 1 Black 黑	4 Green 綠 3 White 白  2 -- 1 Black 黑	4 Orange 橙 3 Red 紅 2 Brown 棕 1 Black 黑
Pin Assignments Front View	 2Pin	 3Pin	 4Pin

UNIT:mm			TITLE MLDDIE CABLE RBL M CONN F PIN
TOLERANCE ±0.5			SCALE 1:1
REV. C	SIZE A4	SHEET 2 OF 2	WC-REV. A.2
QC: Inspection item			

Amphenol LTW
安費諾亮泰企業股份有限公司

ITEM NO	DRAWN BY Mafei	DATE 2016/08/08
DWG NO CB-XXAMFM-RR7AXX	CHECKED BY Joyy	DATE 2016/08/08
CUSTOMER ALTW	APPROVED BY Jerry	DATE 2016/08/08