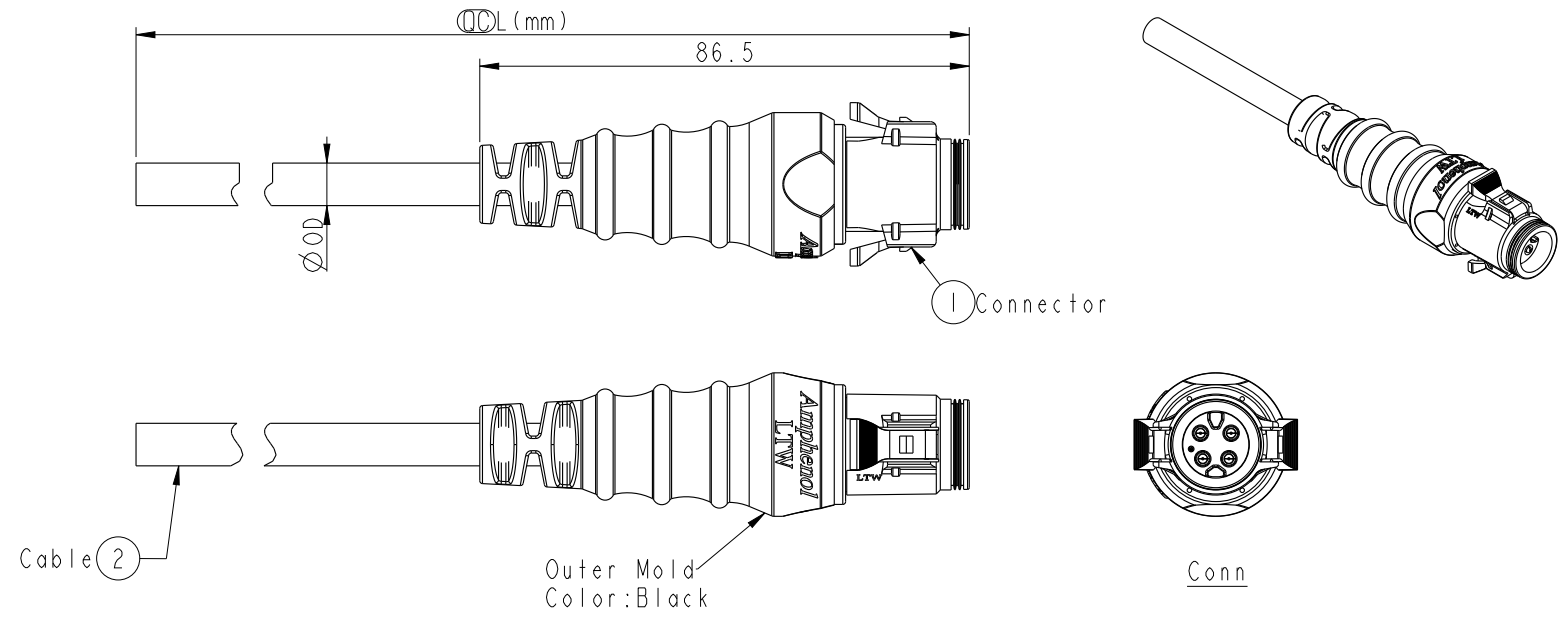


THIS DOCUMENT IS SUBJECT TO CHANGE WITHOUT NOTICE. IT IS CONFIDENTIAL AND A PROPERTY OF Amphenol LTW. DISCLOSURE TO THIRD PARTY HAS TO BE AUTHORIZED BY Amphenol LTW.

REV.	ECN NO.	DATE	SIGN	DESCRIPTION



- Note:
- \* (ØDL) Important Dimension To Check.
  - \* Waterproof Rate: IP68
  - \* Housing: M-PPE , Black.
  - \* Female Pin: Copper Alloy, Gold Plated.
  - \* Gasket: Silicone, Gray.
  - \* Cable: SJTW 16#, PVC Jacket, UV Resistant, Black.
  - \* Cable Length Tolerance: 01M:±40mm  
02M~05M:±60mm  
06M~10M:±100mm  
11M~30M:±200mm  
31M~99M:±500mm
- \* Prohibiting the use of place in oils

CB-02AMFM-RL8EXX	Ø 8.2
CB-03AMFM-RL8EXX	Ø 8.6
CB-04AMFM-RL8EXX	Ø 9.3
Part No.	Cable OD

<b>UNIT:mm</b>		
<b>TOLERANCE</b>	±0.5	

TITLE MIDDLE CABLE RBL M CONN F PIN			
SCALE 3:4	SIZE A4	SHEET 1 OF 2	
REV. A	WC-REV. A.1	QC: Inspection item	

**Amphenol LTW**  
安費諾亮泰企業股份有限公司

ITEM NO	DRAWN BY Peng	DATE 2019-03-22
DWG NO CB-XXAMFM-RL8EXX	CHECKED BY Mafei	DATE 2019-03-22
CUSTOMER ALTW	APPROVED BY Jerry	DATE 2019-03-22

THIS DOCUMENT IS SUBJECT TO CHANGE WITHOUT NOTICE. IT IS CONFIDENTIAL AND A PROPERTY OF AMPHENOL LTW. DISCLOSURE TO THIRD PARTY HAS TO BE AUTHORIZED BY AMPHENOL LTW.

1 2 3 4 5 6 7 8

F

E

D

C

B

A

CB-XXAMFM-RL8E XX

Middle Size Current Rating 10A

XX:No. Of Pin(Pin 數)

A:Cable With S/R(線端帶網尾)

M:Male Connector(公座)

F:Female Pin(母Pin)

M:Molding Type(射出成型)

XX:01~99Meter

01:01Meter

02:02Meter

...

...

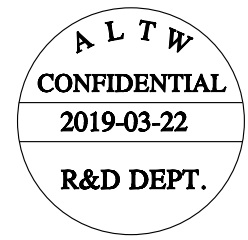
99:99Meter

E:SJTW Cable

8:IP68(防水等級 68)

L:Straight(180°)

R:Snap In With Latch(彈臂卡合式)



Pin Out	4	--	4	Green 綠	4	Green 綠
	3	White 白	3	White 白	3	White 白
	2	--	2	--	2	Red 紅
	1	Black 黑	1	Black 黑	1	Black 黑
Pin Assignments Front View						
	2Pin		3Pin		4Pin	

UNIT:mm		TITLE MIDDLE CABLE RBL M CONN F PIN			ITEM NO	DRAWN BY Peng	DATE 2019-03-22
TOLERANCE	±0.5	SCALE 3:4	SIZE A4	SHEET 2 OF 2	DWG NO CB-XXAMFM-RL8EXX	CHECKED BY Mafei	DATE 2019-03-22
		REV. A	WC-REV. A.1	: Inspection item	CUSTOMER ALTW	APPROVED BY Jerry	DATE 2019-03-22

**Amphenol LTW**  
安費諾亮泰企業股份有限公司

1 2 3 4 5 6 7 8 W10814-03-01A2