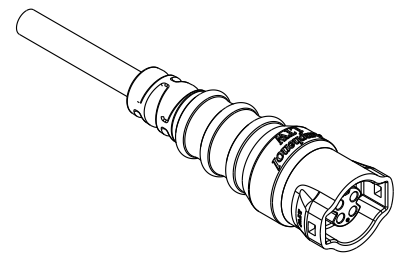
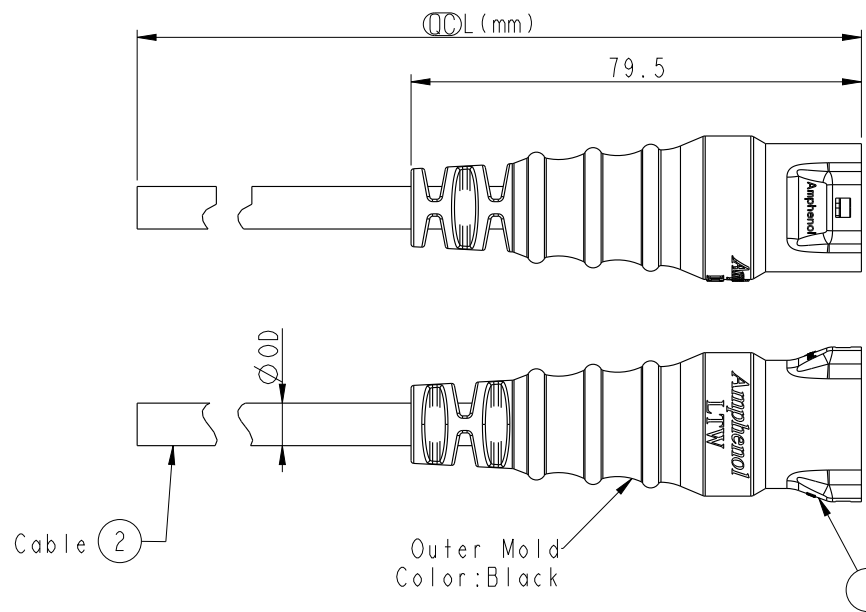
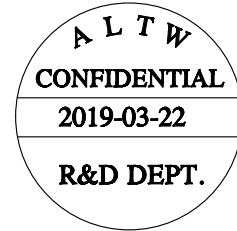


THIS DOCUMENT IS SUBJECT TO CHANGE WITHOUT NOTICE. IT IS CONFIDENTIAL AND A PROPERTY OF Amphenol LTW. DISCLOSURE TO THIRD PARTY HAS TO BE AUTHORIZED BY Amphenol LTW.

1	2	3	4	5	6	7	8
REV.	ECN NO.	DATE	SIGN	DESCRIPTION			



Conn



- Note:
- * L Important Dimension To Check.
 - * Waterproof Rate: IP68
 - * Housing: M-PPE, Black.
 - * Female Pin: Copper Alloy, Gold Plated.
 - * Cable: SJTW, 16#, PVC Jacket, UV Resistant, Black.
 - * Cable Length Tolerance: 01M: $\pm 40\text{mm}$
 02M~05M: $\pm 60\text{mm}$
 06M~10M: $\pm 100\text{mm}$
 11M~30M: $\pm 200\text{mm}$
 31M~99M: $\pm 500\text{mm}$
 - * Prohibiting the use of place in oils

CB-02AFFM-RL8EXX	$\varnothing 8.2$
CB-03AFFM-RL8EXX	$\varnothing 8.6$
CB-04AFFM-RL8EXX	$\varnothing 9.3$
Part No.	Cable OD

UNIT: mm		
TOLERANCE	± 0.5	

TITLE MIDDLE CABLE RBL F CONN F PIN			
SCALE 3:4	SIZE A4	SHEET 1 OF 2	
REV. A	WC-REV. A.1	L : Inspection item	

Amphenol LTW
安費諾亮泰企業股份有限公司

ITEM NO.	DRAWN BY Peng	DATE 2019-03-22
DWG NO. CB-XXAFFM-RL8EXX	CHECKED BY Mafei	DATE 2019-03-22
CUSTOMER ALTW	APPROVED BY Jerry	DATE 2019-03-22

THIS DOCUMENT IS SUBJECT TO CHANGE WITHOUT NOTICE. IT IS CONFIDENTIAL AND A PROPERTY OF AMPHENOL LTW. DISCLOSURE TO THIRD PARTY HAS TO BE AUTHORIZED BY AMPHENOL LTW.

1 2 3 4 5 6 7 8

F

E

D

C

B

A

CB-XXAFFM-RL8EXX

Middle Size Current Rating 10A

XX:No. Of Pin(Pin 數)

A:Cable With S/R(線端帶網尾)

F:Female Connector(母座)

F:Female Pin(母Pin)

M:Molding Type(射出成型)

XX:01~99Meter

01:01Meter

02:02Meter

...

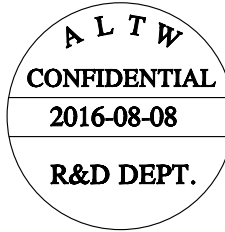
99:99Meter

E:SJTW Cable

8:IP68(防水等級 68)

L:Straight(180°)

R:Snap In With Latch(彈臂卡合式)



Pin Out	4	--	4	Green 綠	4	Green 綠
	3	White 白	3	White 白	3	White 白
	2	--	2	--	2	Red 紅
	1	Black 黑	1	Black 黑	1	Black 黑
Pin Assignments Front View						
	2Pin		3Pin		4Pin	

UNIT:mm		TITLE MIDDLE CABLE RBL F CONN F PIN			ITEM NO	DRAWN BY Peng	DATE 2019-03-22
TOLERANCE ±0.5		SCALE 3:4	SIZE A4	SHEET 2 OF 2	DWG NO CB-XXAFFM-RL8EXX	CHECKED BY Mafei	DATE 2019-03-22
		REV. A	WC-REV. A.1	:Inspection item	CUSTOMER ALTW	APPROVED BY Jerry	DATE 2019-03-22

Amphenol LTW
安費諾亮泰企業股份有限公司