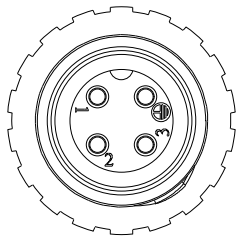
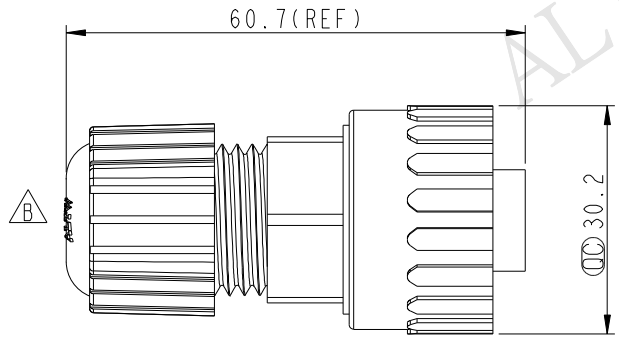
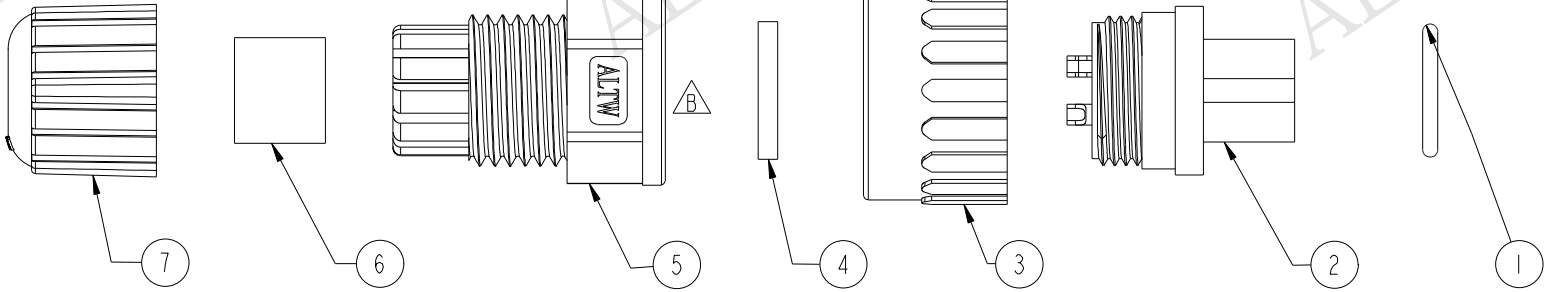
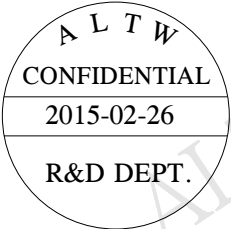
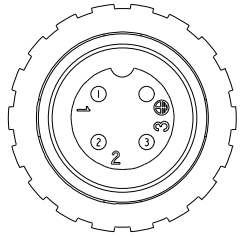


REV.	ECN NO.	DATE	SIGN	DESCRIPTION
B	LEN1520290	2015/02/13	Lu Di	Update LOGO



Conn



Pin Assignments
Front View

- Note:
- * $\text{\textcircled{C}}$ Important Dimension To Check.
 - * Waterproof Rate: IP67
 - * Housing: Black, Nylon+GF
 - * Pin: Copper Alloy, Gold Plated
 - * Screw Nut: Black, Nylon+GF
 - * Gasket: Black, Silicone
 - * Ring: Black, EPDM
 - * Clamp Ring: Black, Nylon
 - * Sealing Nut: Black, Nylon
 - * Seal For Cable OD: $\varnothing 5.5\text{mm} \sim 10.8\text{mm}$

UNIT: mm		
TOLERANCE		
.X	± 0.25	
.XX	± 0.1	
.XXX	± 0.05	
ANGLES	$\pm 1^\circ$	

TITLE Power Assy Screw 4Pin F Conn F Pin			
SCALE 1:1	SIZE A4	SHEET 1 OF 1	
REV. B	WC-REV. A.4	$\text{\textcircled{C}}$: Inspection item	

Amphenol LTW
安費諾亮泰企業股份有限公司

ITEM NO. PWF-04BFFA-SL7001	DRAWN BY Lu Di	DATE 2015/02/13
DWG NO. PWF-04BFFA-SL7001	CHECKED BY Joyy	DATE 2015/02/13
CUSTOMER ALTW	APPROVED BY Jerry	DATE 2015/02/13

THIS DOCUMENT IS SUBJECT TO CHANGE WITHOUT NOTICE. IT IS CONFIDENTIAL AND A PROPERTY OF AMPHENOL LTW. DISCLOSURE TO THIRD PARTY HAS TO BE AUTHORIZED BY AMPHENOL LTW.