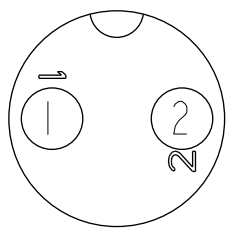
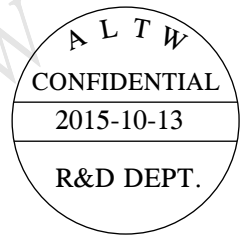
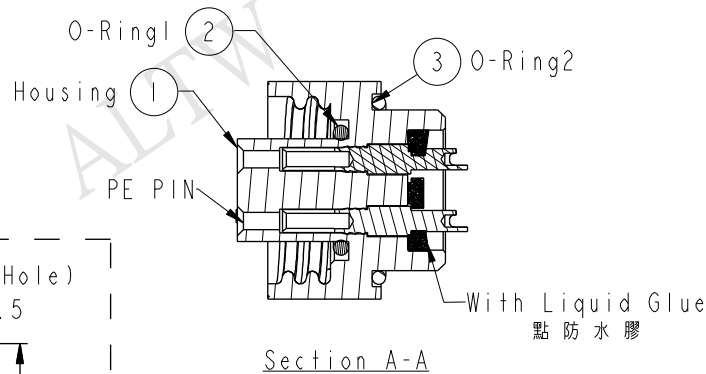
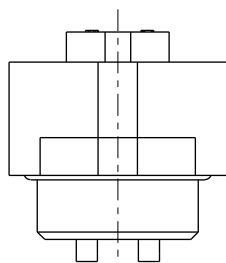
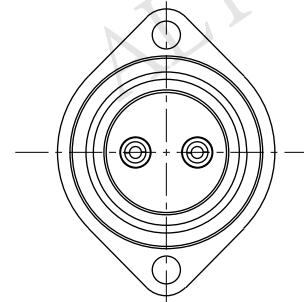
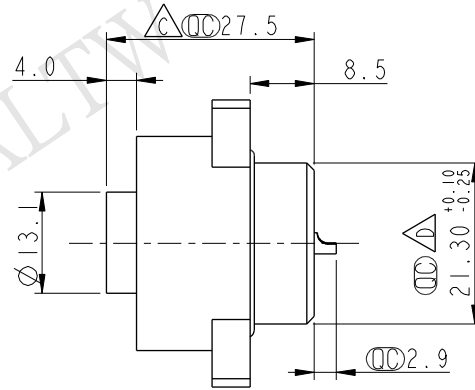
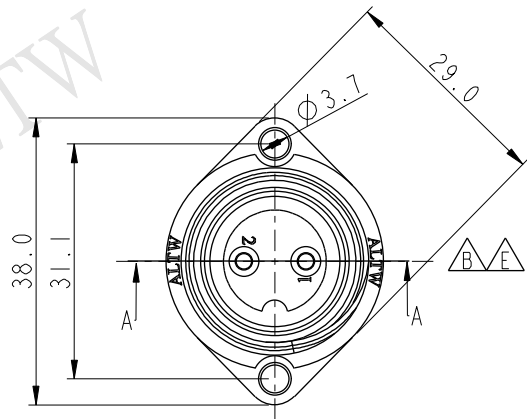
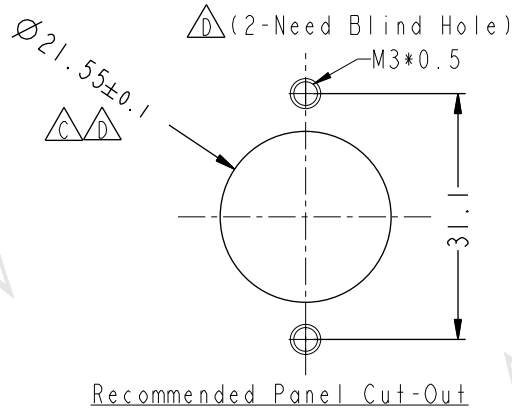




REV.	ECN NO.	DATE	SIGN	DESCRIPTION
C	LEN1130431	2011/03/16	Jiang Jun Hua	Delete Dimension 28.4 & Modify 21.5 to 21.6
D	LEN1190163	2011/08/26	Tony	Modify Dimension & Note
E	LEN15A0424	2015/10/13	Ruru	Change Logo



Pin Assignments
Front View 前視圖



Recommended Panel Cut-Out

- Note:
- * \varnothing Important Dimension.
 - * Waterproof Rate: IP67
 - * One Set in One LTW Sealed Bag (每一組裝, 放置於一個 LTW 封口袋)
 - * Housing: Nylon+GF, Black.
 - * Female Pin: Copper Alloy, Gold Plated
 - * O-Ring1: EPDM 70, Black
 - * O-Ring2: Silicone 60, Gray
 - * Liquid Glue: Clear

UNIT: mm	TITLE Power, Panel Screw 2P F Conn F Pin			ITEM NO. PWF-02PFFS-SC7001		DRAWN BY Ruru		DATE 2015-10-13	
	TOLERANCE .X ±0.25 .XX ±0.1 .XXX ±0.05 ANGLES ±1°	SCALE 1:1	SIZE A4	SHEET 1	OF 1	DWG NO. PWF-02PFFS-SC7001	CHECKED BY Rita	DATE 2015-10-13	
		REV. E	WC-REV. A.5	\varnothing : Inspection item		CUSTOMER ALTW	APPROVED BY Lisa	DATE 2015-10-13	
	Amphenol LTW 安費諾亮泰企業股份有限公司								

THIS DOCUMENT IS SUBJECT TO CHANGE WITHOUT NOTICE. IT IS CONFIDENTIAL AND A PROPERTY OF Amphenol LTW. DISCLOSURE TO THIRD PARTY HAS TO BE AUTHORIZED BY Amphenol LTW.