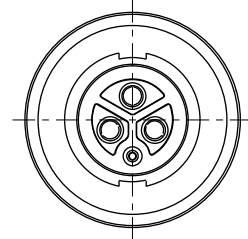


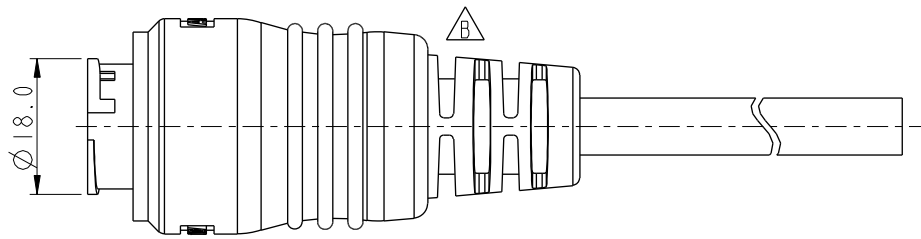
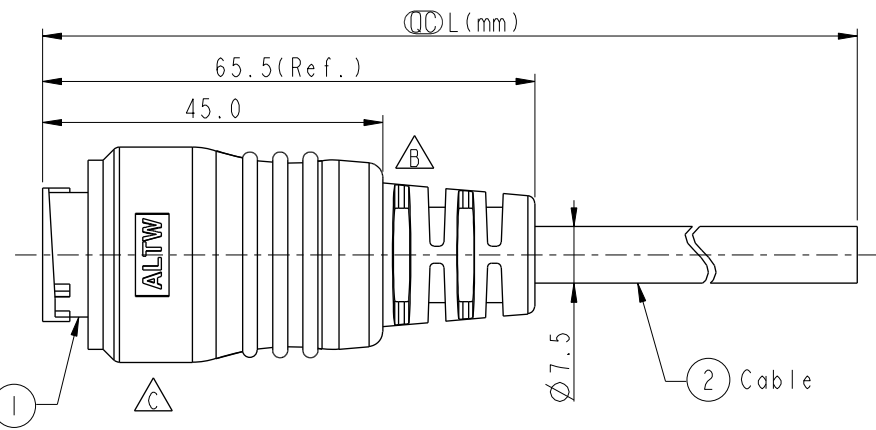
THIS DOCUMENT IS SUBJECT TO CHANGE WITHOUT NOTICE. IT IS CONFIDENTIAL AND A PROPERTY OF Amphenol LTW. DISCLOSURE TO THIRD PARTY HAS TO BE AUTHORIZED BY Amphenol LTW.

REV.	ECN NO.	DATE	SIGN	DESCRIPTION
A		2011/11/30	Tao-Cheng	Change Rev.05 to Rev.A
B	LEN12A0074~77	2012/10/18	Tao-Cheng	Update SR
C	LEN1770092~95	2017/06/27	Ruru	Change Logo



Conn.

PWCU-04AMFM-LL7000

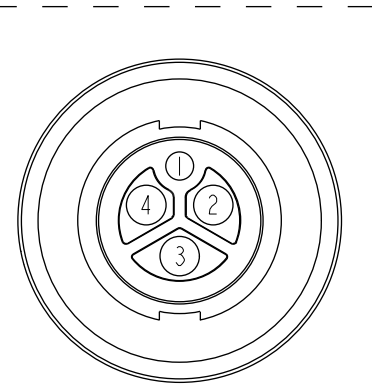


PWCU-04AMFM-LL7AXX

XX:01~99Meters
 01:01Meter
 02:02Meters
 :
 :
 99:99Meters

Cable Length(L):01~99Meters

- Note:
- * \varnothing Important Dimension To Check.
 - * Waterproof Rate: IP67(Mated)
 - * Connector: Nylon+GF, Black
 - * Female Pin: Copper Alloy, Gold Flash
 - * Cable: UL2464, 16AWG*3C+Drain+Al/Mylar, PVC Jacket, UV Resistant, OD=7.5mm, Black
 - * Cable Length Tolerance: 01M:±40mm
 02M~05M:±60mm
 06M~10M:±100mm
 11M~30M:±200mm
 31M~99M:±500mm



Pin Assignments
Front View

4	Black	黑
3	Blue	藍
2	Brown	棕
1	Drain	地線
Conn.	Wire Color	

Pin Out

UNIT:mm		
TOLERANCE		
.X	±0.25	
.XX	±0.1	
.XXX	±0.05	
ANGLES	±1°	

TITLE Power,Cable Lock 4Pin M Conn F Pin (2A+20A)			
SCALE 1:1	SIZE A4	SHEET 1 OF 1	
REV. C	WC-REV. A.3	\varnothing : Inspection item	

Amphenol LTW
 安費諾亮泰企業股份有限公司

ITEM NO	DRAWN BY Ruru	DATE 2017-06-27
DWG NO PWCU-04AMFM-LL7AXX	CHECKED BY Rita	DATE 2017-06-27
CUSTOMER ALTW	APPROVED BY Max	DATE 2017-06-27