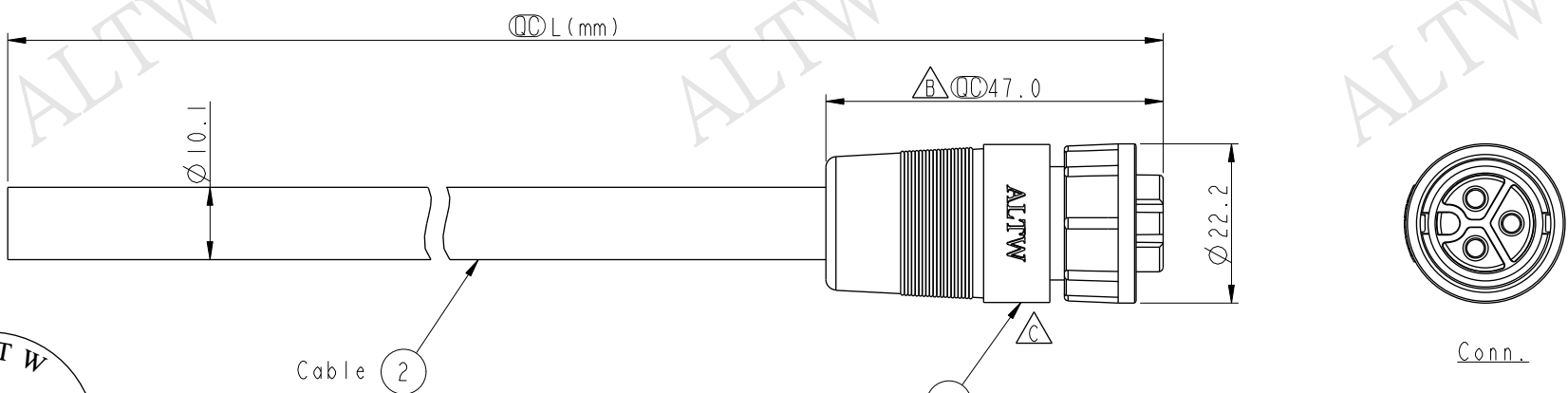


THIS DOCUMENT IS SUBJECT TO CHANGE WITHOUT NOTICE. IT IS CONFIDENTIAL AND A PROPERTY OF Amphenol LTW. DISCLOSURE TO THIRD PARTY HAS TO BE AUTHORIZED BY Amphenol LTW.

REV.	ECN NO.	DATE	SIGN	DESCRIPTION
B	LENI390106~09	2013/09/06	Rensong	Change dimension
C	LENI480517~520	2014/08/15	Sam	Change Logo



ALTW
 CONFIDENTIAL
 2014-08-15
 R&D DEPT.

Cable 2

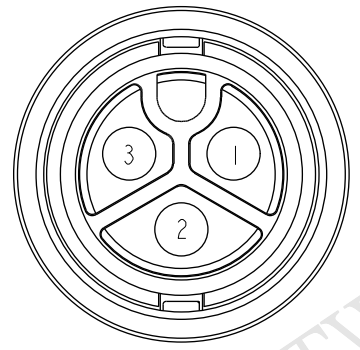
PWC-03BFFM-LL7100
Color: Black

PWC-03BFFM-LL7EXX

XX : 01~99Meters
 01 : 01Meter
 02 : 02Meters
 :
 :
 99 : 99Meters

Cable Length(L): 01~99Meters

- Note:
- * \varnothing Important Dimension To Check.
 - * Waterproof Rate: IP67
 - * Connector: Nylon+GF, Black.
 - * Female Pin: Copper Alloy, Gold Plated.
 - * Lock Nut: Nylon+GF, Black.
 - * Cable: VDE H05 2.5mm²*3G, PVC Jacket, OD=10.1, Black.
 - * Cable Length Tolerance:
 - 01M: 40mm
 - 02M~05M: ±60mm
 - 06M~10M: ±100mm
 - 11M~30M: ±200mm
 - 31M~99M: ±500mm



Pin Assignments
Front View

ALTW
 DCC. DEPT.
 CONFIDENTIAL
 2014.08.25
 ISSUED

3	Blue	藍
2	Black	黑
1	Brown	棕
Conn.	Wire Color	
Pin Out		

UNIT:mm			TITLE POWER MOLDING F CONN. F PIN 20A		
TOLERANCE ±0.5 mm			SCALE 1:1	SIZE A4	SHEET 1 OF 1
REV. C	WC-REV. B.2	\varnothing : Inspection item			

Amphenol LTW
 安費諾亮泰企業股份有限公司

ITEM NO	DRAWN BY Sam	DATE 2014-08-15
DWG NO PWC-03BFFM-LL7EXX	CHECKED BY Vicky	DATE 2014-08-15
CUSTOMER ALTW	APPROVED BY Rita	DATE 2014-08-15