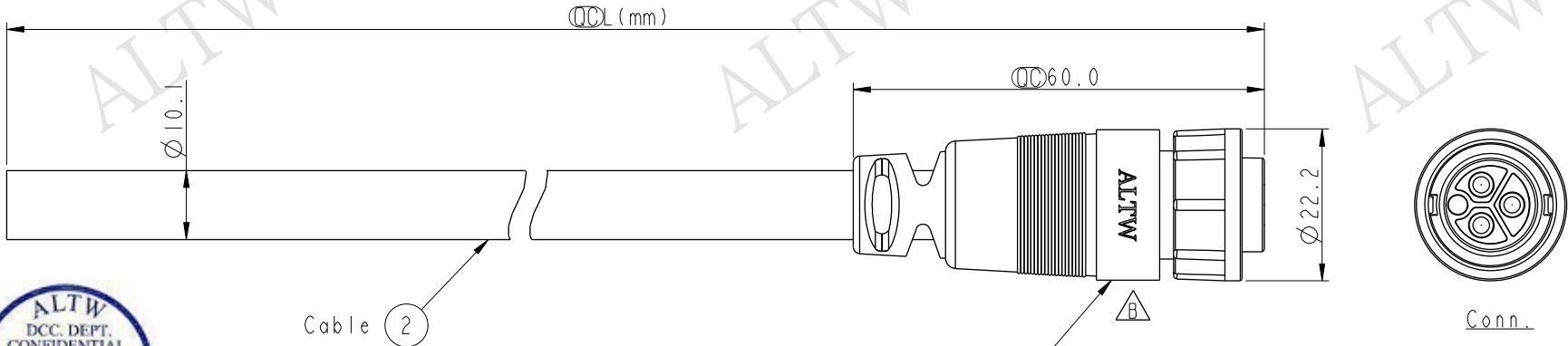


REV.	ECN NO.	DATE	SIGN	DESCRIPTION
B	LEN1480454~457	2014/08/15	Sam	Change Logo.



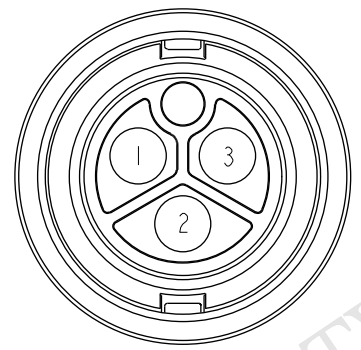
PWC-03AFMM-LL7100  
Color:Black

PWC-03AFMM-LL7EXX

- XX :01~99Meters
- 01 :01Meter
- 02 :02Meters
- :
- :
- 99 :99Meters

Cable Length(L):01~99Meters

- Note:
- \*  $\varnothing$  Important Dimension To Check.
  - \* Waterproof Rate: IP67
  - \* Connector: Nylon+GF, Black.
  - \* Male Pin: Copper Alloy, Gold Plated.
  - \* Lock Nut: Nylon+GF, Black.
  - \* Cable: VDE H05 2.5mm<sup>2</sup>\*3G, PVC Jacket OD=10.1, Black.
  - \* Cable Length Tolerance: 01M:40mm  
02M~05M:±60mm  
06M~10M:±100mm  
11M~30M:±200mm  
31M~99M:±500mm



Pin Assignments  
Front View

3	Blue	藍
2	Black	黑
1	Brown	棕
Conn.	Wire Color	
	Pin Out	

UNIT:mm	
TOLERANCE	±0.5 mm

TITLE POWER MOLDING F CONN. M PIN 20A			
SCALE 1:1	SIZE A4	SHEET 1	OF 1
REV. B	WC-REV. A.2	$\varnothing$ : Inspection item	

**Amphenol LTW**  
安費諾亮泰企業股份有限公司

ITEM NO	DRAWN BY Sam	DATE 2014-08-15
DWG NO PWC-03AFMM-LL7EXX	CHECKED BY Vicky	DATE 2014-08-15
CUSTOMER ALTW	APPROVED BY Rita	DATE 2014-08-15

THIS DOCUMENT IS SUBJECT TO CHANGE WITHOUT NOTICE. IT IS CONFIDENTIAL AND A PROPERTY OF Amphenol LTW. DISCLOSURE TO THIRD PARTY HAS TO BE AUTHORIZED BY Amphenol LTW.