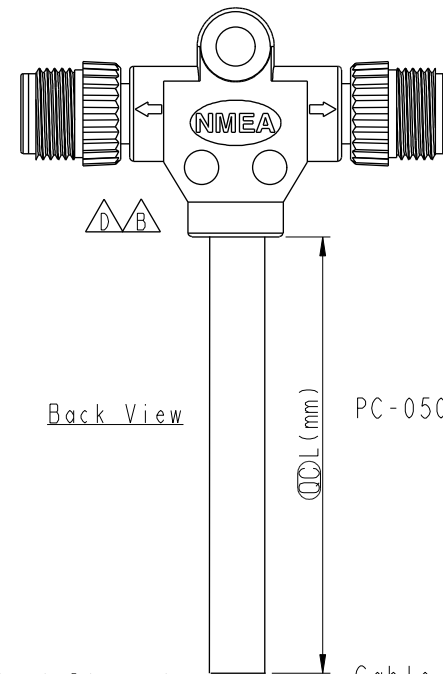
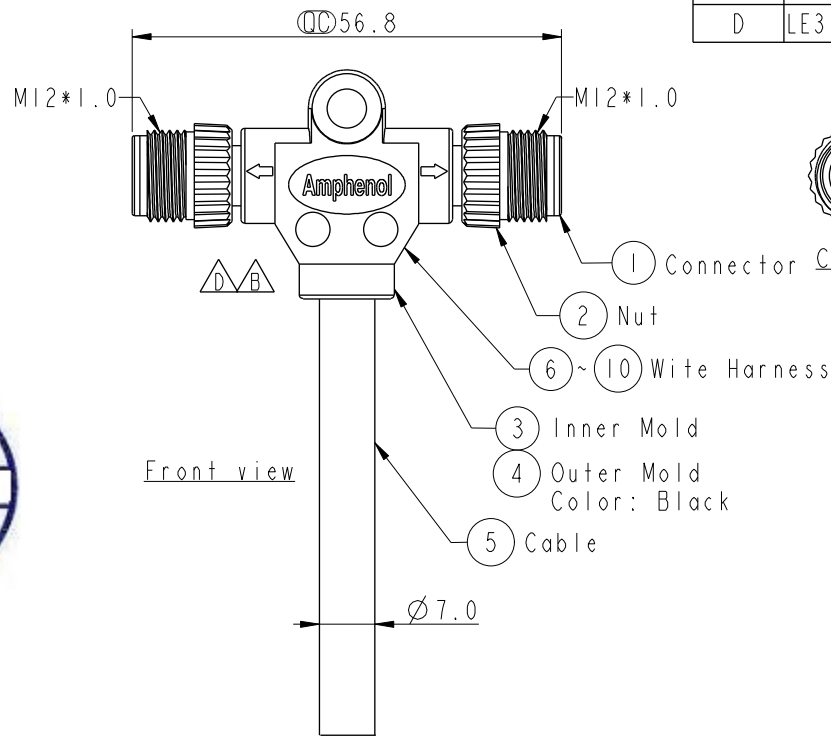


REV.	ECN NO.	DATE	SIGN	DESCRIPTION
B	LEN1510716~719	2015/01/22	Sam	Update Logo&Note&View.
C	LEN1640105-108	2016/04/08	Ruru	Modify Line position
D	LE31720103~106	2017/02/08	Ruru	Change Logo & Outer Mold Design

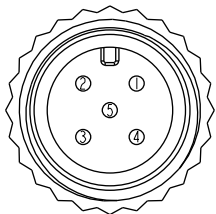


PC-050500-MM0-TSBXX

XX: 01~99Meter  
 01: 01Meter  
 02: 02Meters  
 ...  
 99: 99Meters

Cable Length(L): 01~99Meters

- Note:
- \*  $\varnothing$  Important Dimension.
  - \* Waterproof Rate: IP68.  
IP68: 1M Depth Of Water In 24hours.
  - \* Connector: Polyurethane (PU), Black.
  - \* Male Pin: Copper Alloy, Gold Plated
  - \* Cable: (22#\*IP+A)+(18#\*IP+A)+Drain+AL.Mylar+Braid, Black  
PVC UV Cable OD=7.0mm
  - \* Wire Harness: UL1007/TR64 22AWG, OD=0.76mm  
, Green, White, Blue.
  - \* Wire Harness: UL1007/TR64 18AWG, OD=1.20mm  
, Red, Black.
  - \* Cable Length Tolerance: 01M: ±40mm  
02M~05M: ±60mm  
06M~10M: ±100mm  
11M~30M: ±200mm  
31M~99M: ±500mm



Conn. 1&2  
Pin Assignment  
Front View

5	Blue (22AWG)藍	5	Blue (22AWG)藍
4	White (22AWG)白	4	White (22AWG)白
3	Black (18AWG)黑	3	Black (18AWG)黑
2	Red (18AWG)紅	2	Red (18AWG)紅
1	Green (22AWG)綠	1	Drain (22AWG)地線
Conn.1	Wire Harness	Conn.2	Cable

Pin Out

UNIT:mm	TOLERANCE	TITLE	SCALE	SIZE	SHEET	OF
$\varnothing$	±0.5 mm	M12P Conn NMEA T Cable Screw MM Conn MM Pin	1:1	A4	1	1
		REV. D	WC-REV. A.2	$\varnothing$ : Inspection item		

**Amphenol LTW**  
 安費諾亮泰企業股份有限公司

ITEM NO	DWG NO	CUSTOMER	DRAWN BY	CHECKED BY	APPROVED BY	DATE
	PC-050500-MM0-TSBXX	ALTW	Ruru	Rita	Max	2017-02-08

THIS DOCUMENT IS SUBJECT TO CHANGE WITHOUT NOTICE. IT IS CONFIDENTIAL AND A PROPERTY OF Amphenol LTW. DISCLOSURE TO THIRD PARTY HAS TO BE AUTHORIZED BY Amphenol LTW.