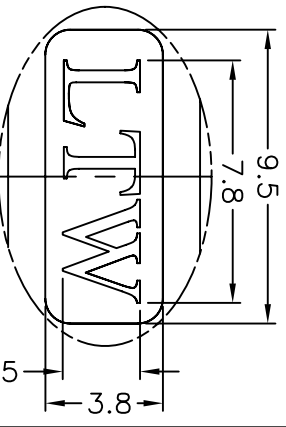
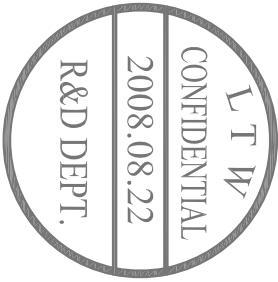
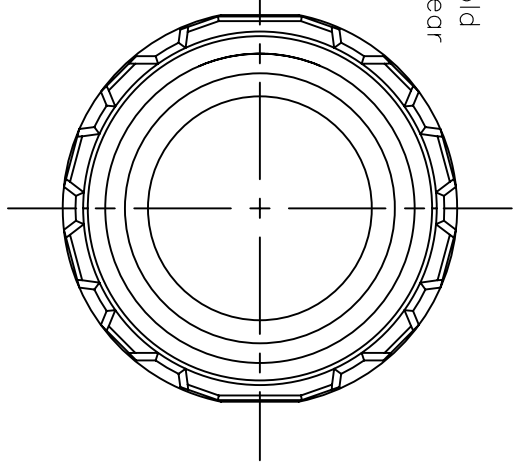
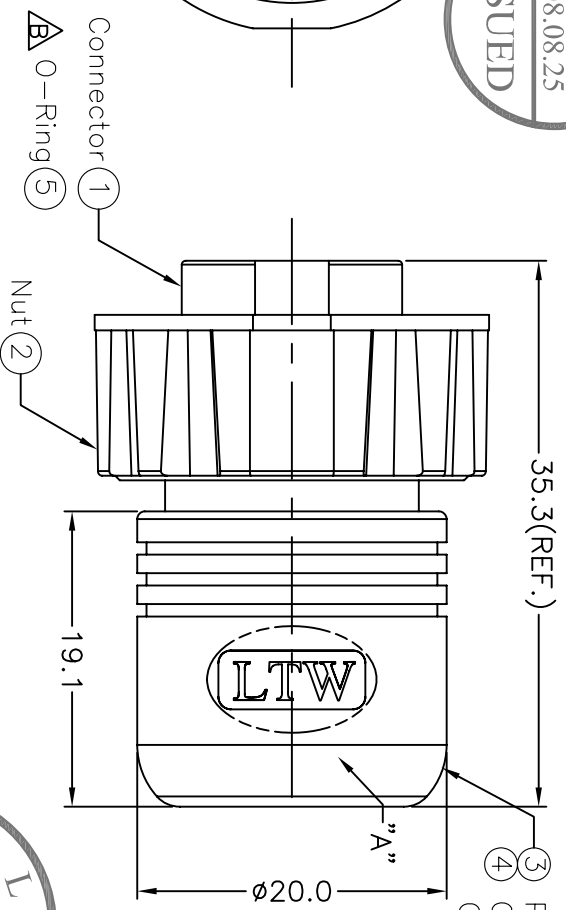
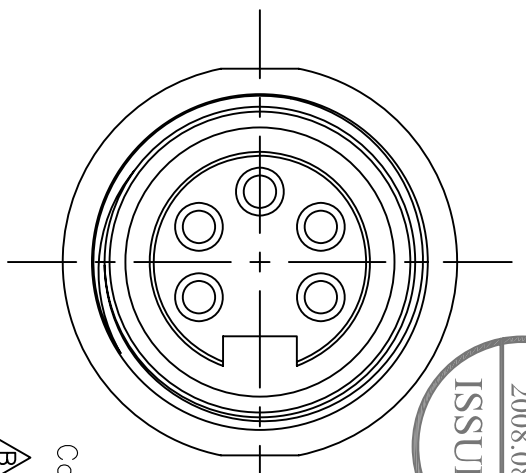
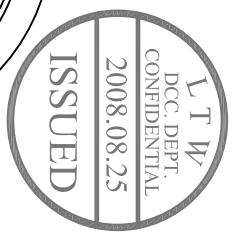
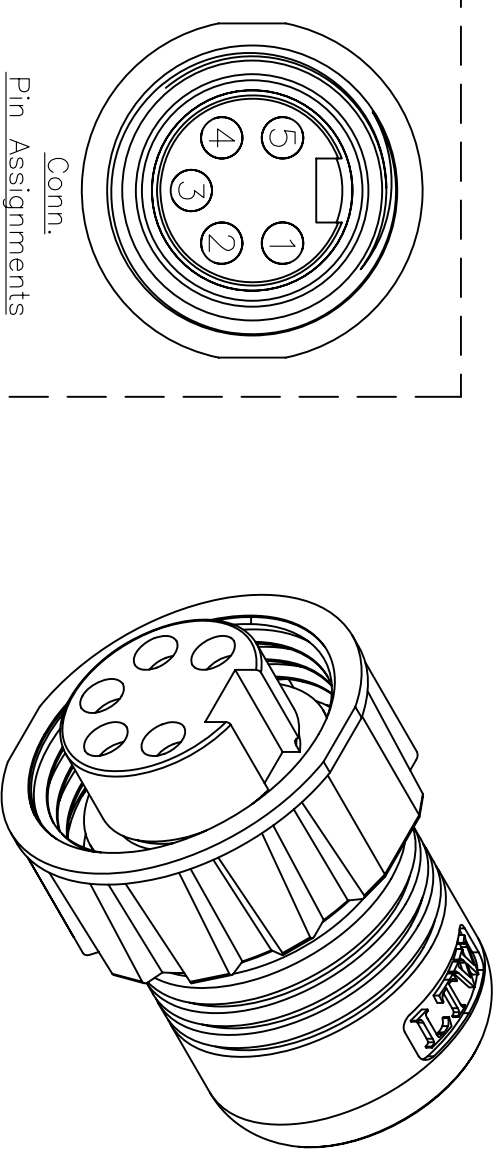


REV. B	ECON. NO. LEN-880467	DATE 2008/8/22	SIGN. Doreen	DESCRIPTION Add Item
--------	----------------------	----------------	--------------	----------------------



Note:
 * @ Important Dimension.
 * Waterproof Rate: IP68
 * Connector: Black, PU
 * Pin: Copper Alloy, Gold Plated
 * Resistor: 1/4W, 120ohm±5% Resistance,
 Molded Inside The Connector.
 * Nut: Zinc, Nickel Plated
 * Text Depth : 0.3mm



UNIT:mm		TITLE	Mini Conn NMEA Waterproof Resistor with LED	ITEM NO	LTWMNL-05BFFT-SL8001	DRAWN BY	Doreen	DATE	2008/08/22
TOLERANCE	±0.25 ±0.1 ±0.05	SCALE	Free	DWG. NO	LTWMNL-05BFFT-SL8001	CHECKED BY	lvgn	DATE	2008/08/22
ANGLES	±1°	REV.	B	CUSTOMER		APPROVED BY	Yitung	DATE	2008/08/22
		SIZE	A4						
		SHEET	1 OF 1						
		@@	Inspection Item						