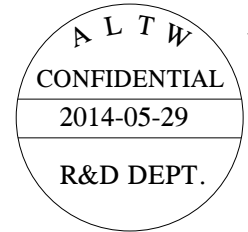
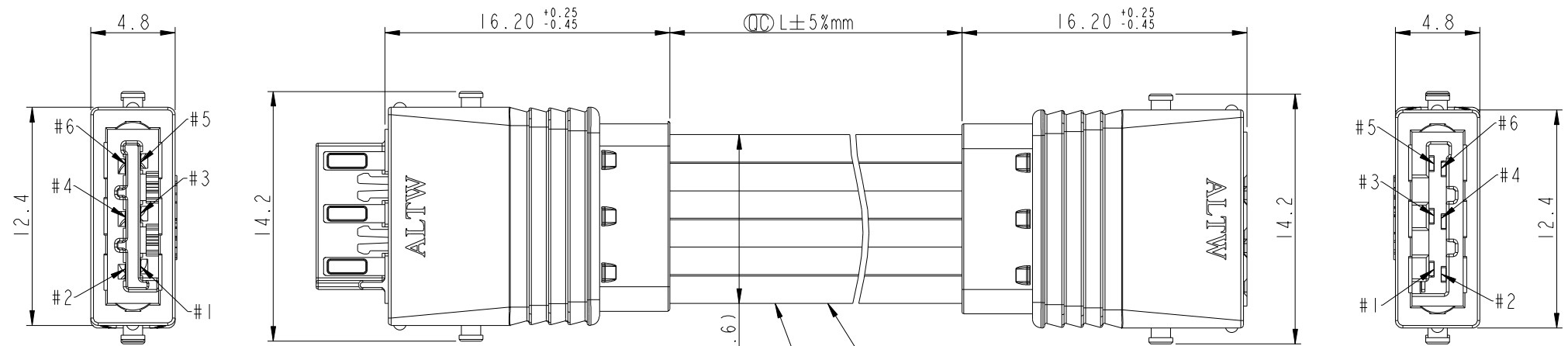
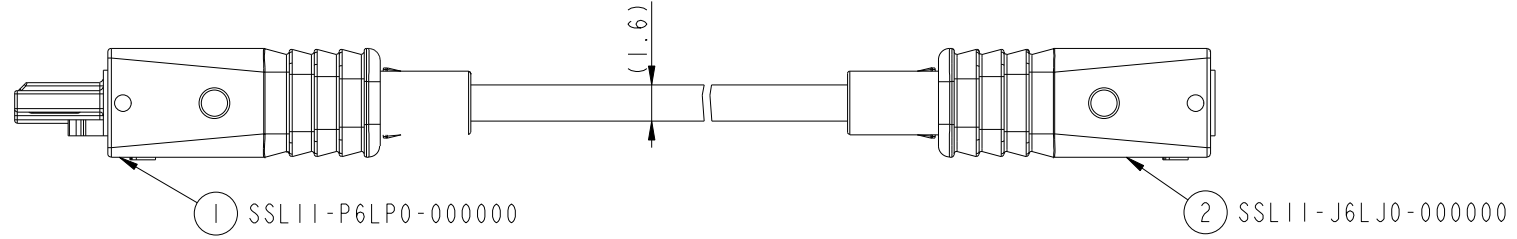


THIS DOCUMENT IS SUBJECT TO CHANGE WITHOUT NOTICE. IT IS CONFIDENTIAL AND A PROPERTY OF Amphenol LTW. DISCLOSURE TO THIRD PARTY HAS TO BE AUTHORIZED BY Amphenol LTW.

REV.	ECN NO.	DATE	SIGN	DESCRIPTION
A	Initial Release	2014-05-29	Fisher	Initial Release



6	White	白	6
5	White	白	5
4	White	白	4
3	White	白	3
2	White	白	2
1	Blue	藍	1
Conn. 1	Wire Color	Conn. 2	
Pin Out			

SSL11-P6LJP-022DXX

06: L=600mm.  
Cable Length Range  
(L): 100~9900 mm

22: 22AWG

LOCK&LATCH OPTION  
0: W/O LOCK

- Notes:
- \*  $\varnothing$  Important Dimensions To Check.
  - \* Housing: Thermoplastic, UL94V-0, Natural White.
  - \* Terminal: Copper Alloy, Gold Plated.
  - \* Hood: Thermoplastic, UL94V-0, Natural White.
  - \* SR Mold: PP, UL94V-0, Natural White.
  - \* Flat Cable: UL21016, 6F \* 22AWG, XLPE Insulation, White

<b>UNIT:mm</b> TOLERANCE .X ±0.25 .XX ±0.1 .XXX ±0.05 ANGLES ±1°	TITLE SSL1.1 Flat Cable, 6-Pos. W/O Lock, Plug to Jack		<b>Amphenol LTW</b> 安費諾亮泰企業股份有限公司		ITEM NO	DRAWN BY	DATE		
	SCALE	SIZE			SHEET	OF	DWG NO	CHECKED BY	DATE
	REV.	WC-REV.			$\varnothing$ : Inspection item		CUSTOMER	APPROVED BY	DATE
	2	3	4	5	6	7	8		