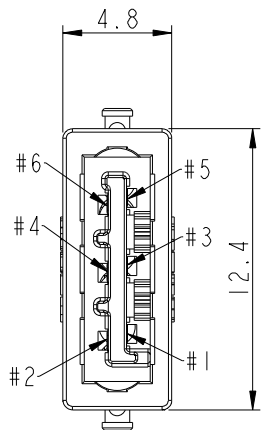
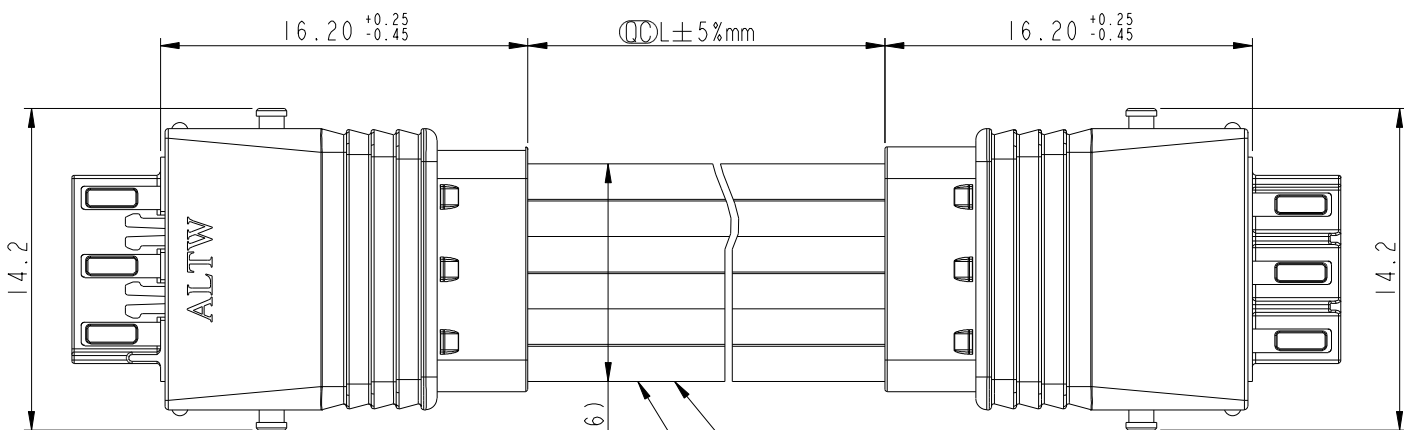
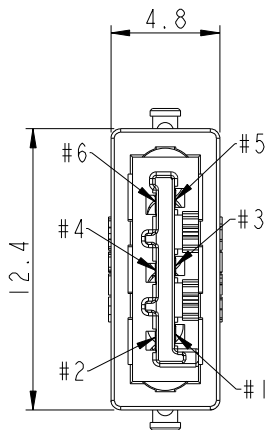
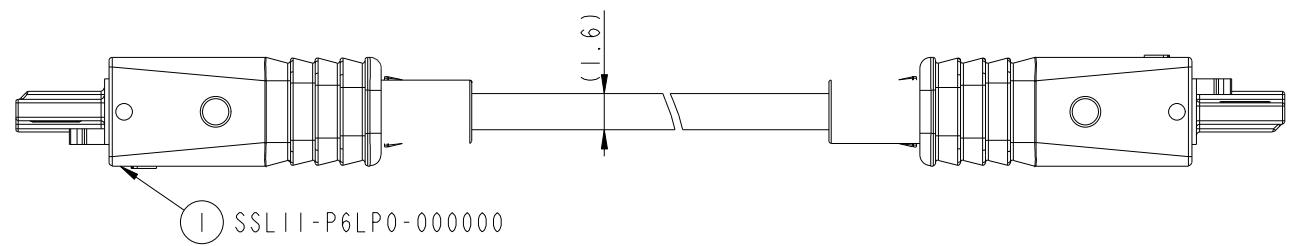
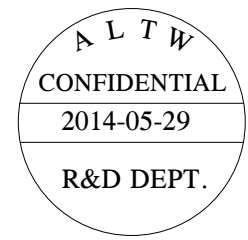


REV.	ECN NO.	DATE	SIGN	DESCRIPTION
A	Initial Release	2014-05-29	Fisher	Initial Release



6	White	白	6
5	White	白	5
4	White	白	4
3	White	白	3
2	White	白	2
1	Blue	藍	1
Conn. 1	Wire Color		Conn. 2
Pin Out			

SSL11-P6L2P-022DXX
 06: L=600mm.
 Cable Length Range
 (L): 100~9900 mm
 22: 22AWG
 LOCK&LATCH OPTION
 0: W/O LOCK



- Notes:
- * \varnothing Important Dimensions To Check.
 - * Housing: Thermoplastic, UL94V-0, Natural White.
 - * Terminal: Copper Alloy, Gold Plated.
 - * Hood: Thermoplastic, UL94V-0, Natural White.
 - * SR Mold: PP, UL94V-0, Natural White.
 - * Flat Cable: UL21016, 6F * 22AWG, XLPE Insulation, White

UNIT:mm		
TOLERANCE		
.X	±0.25	
.XX	±0.1	
.XXX	±0.05	
ANGLES	±1°	

TITLE SSL1.1 Flat Cable, 6-Pos. W/O Lock, Plug to Plug			
SCALE 3:1	SIZE A4	SHEET 1 OF 1	
REV. A	WC-REV. A.2	\varnothing : Inspection item	

Amphenol LTW
 安費諾亮泰企業股份有限公司

ITEM NO	DRAWN BY Fisher_Wang	DATE 2014-05-29
DWG NO SSL11-P6L2P-022DXX	CHECKED BY Ivan_Lin	DATE 2014-05-29
CUSTOMER ALTW	APPROVED BY Kevin_Hu	DATE 2014-05-29

THIS DOCUMENT IS SUBJECT TO CHANGE WITHOUT NOTICE. IT IS CONFIDENTIAL AND A PROPERTY OF Amphenol LTW. DISCLOSURE TO THIRD PARTY HAS TO BE AUTHORIZED BY Amphenol LTW.