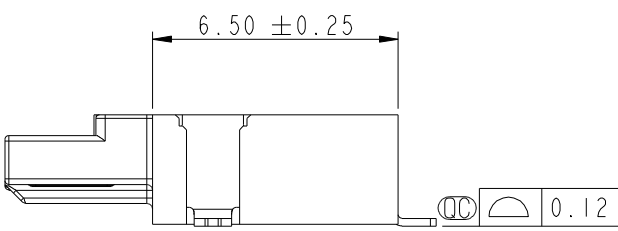
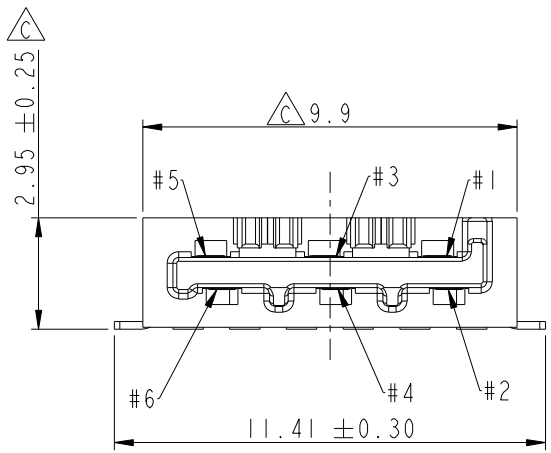
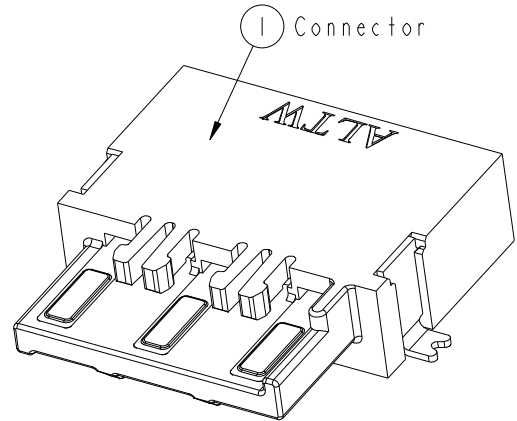
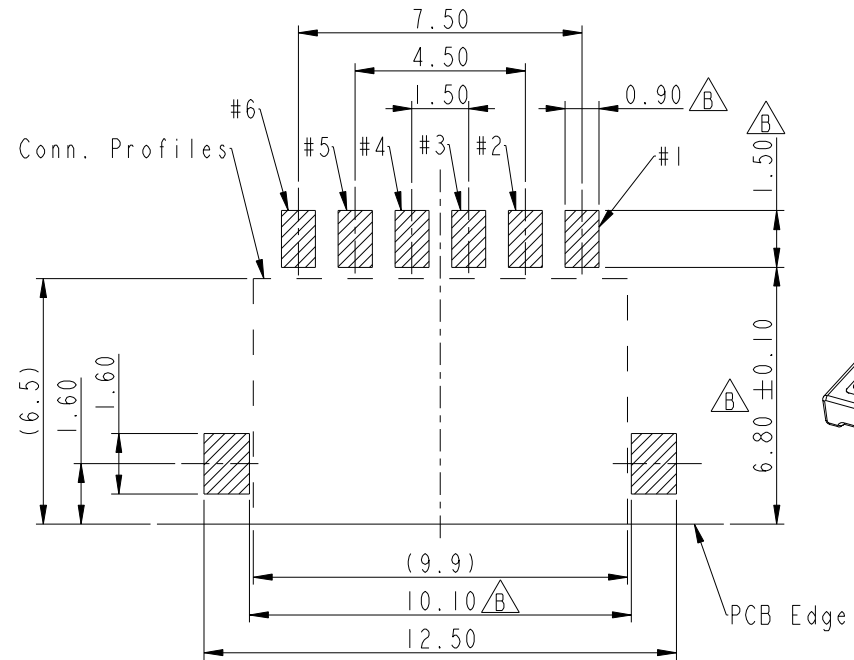
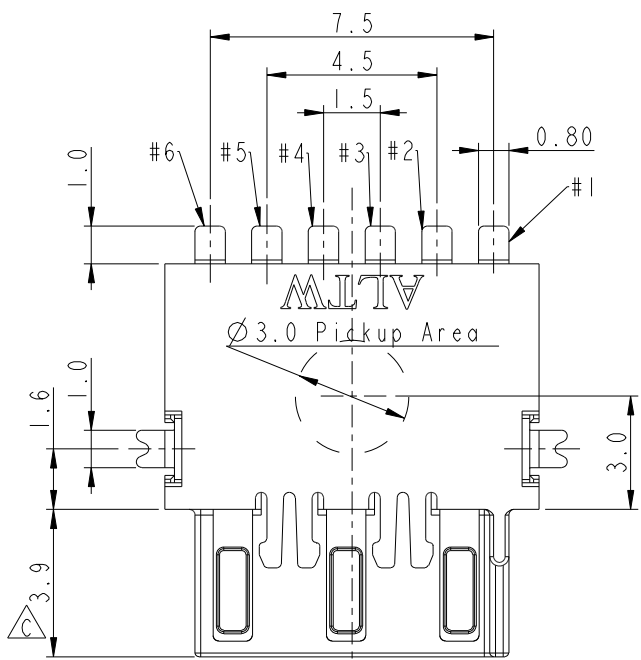
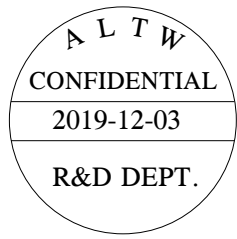


THIS DOCUMENT IS SUBJECT TO CHANGE WITHOUT NOTICE. IT IS CONFIDENTIAL AND A PROPERTY OF Amphenol LTW. DISCLOSURE TO THIRD PARTY HAS TO BE AUTHORIZED BY Amphenol LTW.

REV.	ECN NO.	DATE	SIGN	DESCRIPTION
C	LE313C0103	2013-12-16	Fisher	Change Plating and Package
D	CI91496	2019-08-29	NianPing Yu	Add UL Label
E	CI92063	2019-12-03	NianPing Yu	△E,XI



- Notes:
- * CC Important Dimension To Check.
 - * Housing: High temperature thermoplastic. UL94V-0, color is Natural white.
 - * Terminal: Copper Alloy, Gold Plated on contact area. Tin plated on solder tails.
 - * Solder Peg: Copper Alloy, Tin plated over Nickel.



UNIT: mm

TOLERANCE	
.X	±0.25
.XX	±0.1
.XXX	±0.05
ANGLES	±1°

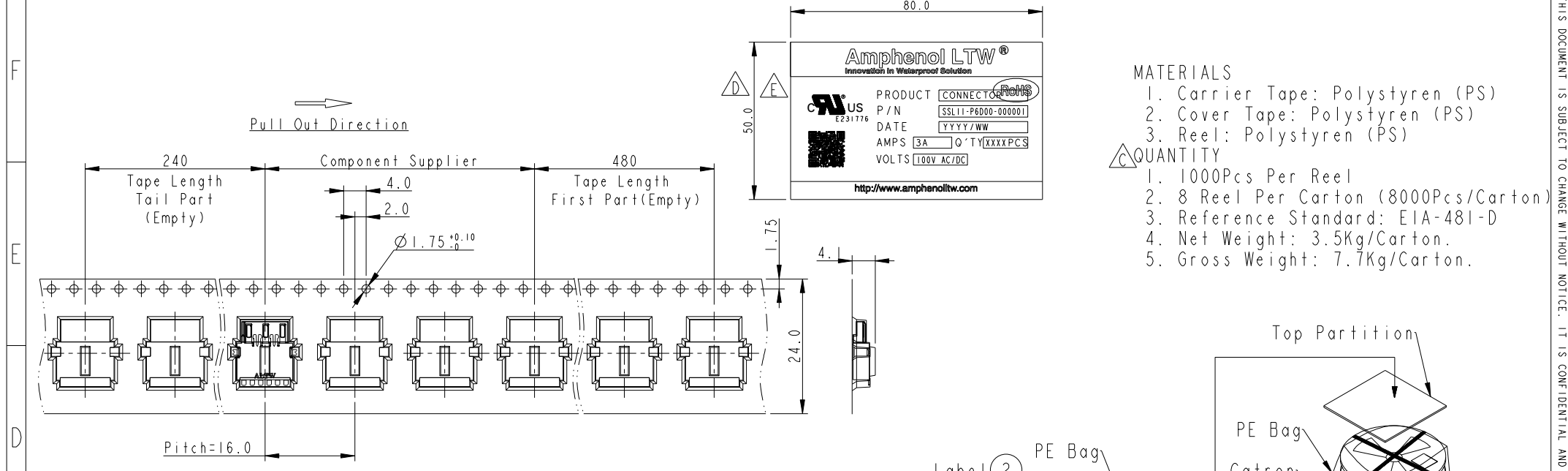
TITLE SSL-1.1 DC PLUG CONNECTOR 6-POS. W/O POST, SMT TYPE			
SCALE	SIZE	SHEET	OF
5:1	A4	1	2
REV.	WC-REV.	CC : Inspection item	
E	C.3		

Amphenol LTW
安費諾亮泰企業股份有限公司

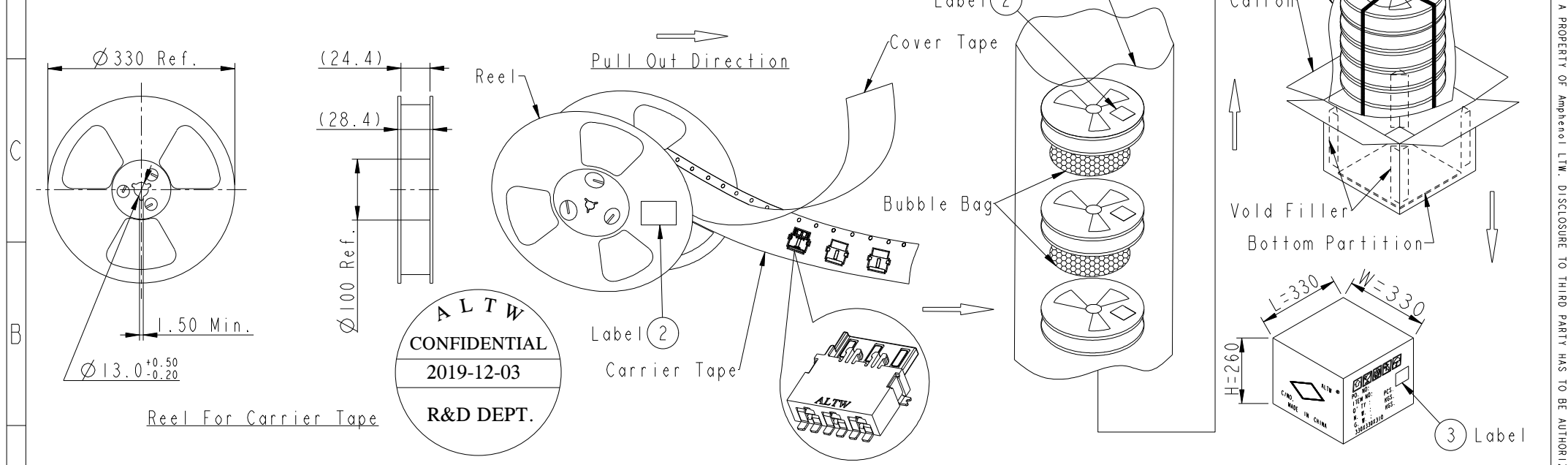
ITEM NO	SSL11-P6D00-000001	DRAWN BY	NianPing Yu	DATE	2019-08-29
DWG NO	SSL11-P6D00-000001	CHECKED BY	Fisher Wang	DATE	2019-08-29
CUSTOMER	ALTW	APPROVED BY	Max Yang	DATE	2019-08-29

THIS DOCUMENT IS SUBJECT TO CHANGE WITHOUT NOTICE. IT IS CONFIDENTIAL AND A PROPERTY OF Amphenol LTW. DISCLOSURE TO THIRD PARTY HAS TO BE AUTHORIZED BY Amphenol LTW.

1 2 3 4 5 6 7 8



- MATERIALS**
1. Carrier Tape: Polystyren (PS)
 2. Cover Tape: Polystyren (PS)
 3. Reel: Polystyren (PS)
- QUANTITY**
1. 1000Pcs Per Reel
 2. 8 Reel Per Carton (8000Pcs/Carton)
 3. Reference Standard: EIA-481-D
 4. Net Weight: 3.5Kg/Carton.
 5. Gross Weight: 7.7Kg/Carton.



ALTW
 CONFIDENTIAL
 2019-12-03
 R&D DEPT.

UNIT:mm TOLERANCE .X ±0.25 .XX ±0.1 .XXX ±0.05 ANGLES ±1°		TITLE SSL-1.1 DC PLUG CONNECTOR 6-POS. W/O POST, SMT TYPE		Amphenol LTW 安費諾亮泰企業股份有限公司	ITEM NO SSL11-P6D00-000001	DRAWN BY Fisher_Wang	DATE 2019-08-29
		SCALE 5:1	SIZE A4		SHEET 2 OF 2	DWG NO SSL11-P6D00-000001	CHECKED BY Ivan_Lin
		REV. E	WC-REV. A.5	Inspection item	CUSTOMER ALTW	APPROVED BY Kevin_Hu	DATE 2019-08-29

2 3 4 5 6 7 8 W10814-03-01M01A2